



EXCALIBUR WATER SYSTEMS

COMMERCIAL WATER SOFTENER

SYSTEM DESIGN DATA & SPECIFICATIONS

Model: EWS S12545

Water Softener 1.25" Simplex 45,000 Capacity

Water Softener Operating Parameters

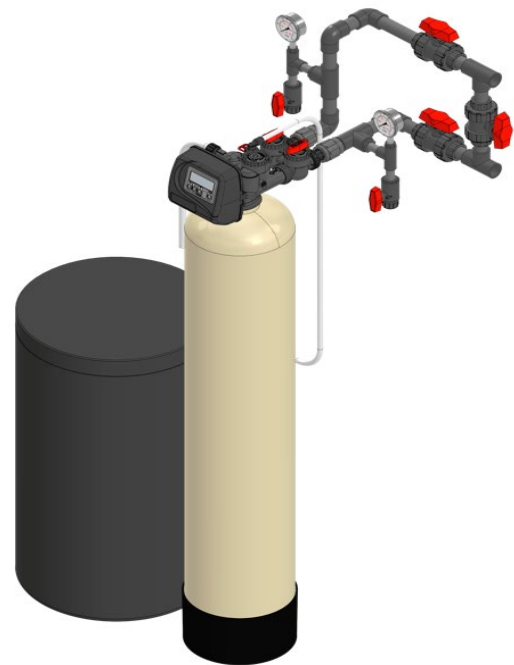
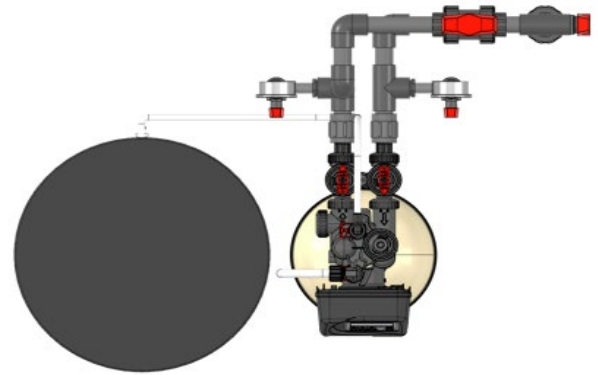
Minimum Flow Rate, gpm	: 1.1
Critical Flow Rate, gpm	: 4.5
Service Flow Rate, gpm	: 6.5
Flow Rate 15psi ΔP, gpm	: 19.0
Flow Rate 25psi ΔP, gpm	: 28.0
Backwash Flow Rate, gpm	: 2.7
Capacity @ 15lbs/ft ³ , kgr	: 45.0
Capacity @ 10lbs/ft ³ , kgr	: 40.5
Capacity @ 6lbs/ft ³ , kgr	: 30.0
Capacity Max System, kgr	: 45.0
Salt Usage @ 15lbs/ft ³ , lbs	: 22.5
Salt Usage @ 10lbs/ft ³ , lbs	: 15.0
Salt Usage @ 6lbs/ft ³ , lbs	: 9.0
Resin Qty, ft ³	: 1.5
#20 Gravel Qty, lbs	: 16.0
Distributor Size, in	: 1.32
Drain Line Size, in	: 0.75
Brine Line Size, in	: 0.375

Miscellaneous Design Data

Mineral Tank Size, in.	: 10x54
Freeboard, in.	: 14.6
Bed Depth, in	: 33.0
Brine Tank Size, in.	: 18x33
Max. Salt Load, lbs.	: 350 (Dry)
Total Regeneration Time, min.	: 90
Operating Pressure, psi	: 40-110
Operating Temperature, ° F	: 40-110
Shipping Weight, lbs.	: 150
Operating Weight, lbs.	: 635
Space Req'd in, L x W x H	: 40x29x70

Electrical Specifications

Supply Voltage	: 120VAC
Supply Frequency	: 60 Hz
Output Voltage	: 15VDC
Output Current:	: 500 mA



** Pipe and fittings shown not in scope*