



EXCALIBUR WATER SYSTEMS

COMMERCIAL WATER FILTER

SYSTEM DESIGN DATA & SPECIFICATIONS

Model: EWS FS2HFCS24

Water Filter 2.0"HF Simplex Chemical Removal Filtration 24ft³

Water Filter Operating Parameters

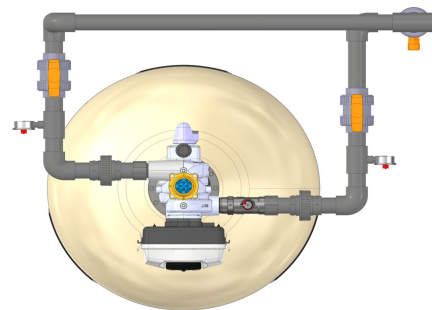
Minimum Flow Rate, gpm	: 9.6
Chloramine Flow Rate, gpm	: 18.0
TOC Flow Rate, gpm	: 24.0
Chlorine Flow Rate, gpm	: 72.0
Flow Rate 15psi ΔP, gpm	: 105.0
Flow Rate 25psi ΔP, gpm	: 130.0
Backwash Flow Rate, gpm	: 95.0
Media Qty, ft ³	: 24.0
#20 Gravel Qty, lbs	: 250.0
1/4"X1/8" Gravel Qty, lbs	: 450.0
Distributor Size, in	: 2.0
Drain Line Size, in	: 2.0

Miscellaneous Design Data

Mineral Tank Size, in.	: 42x72
Freeboard, in.	: 24.0
Bed Depth, in	: 30.0
Total Regeneration Time, min.	: 18
Operating Pressure, psi	: 40-110
Operating Temperature, ° F	: 40-110
Control Valve, type	: WS2HF
Battery Backup, battery	: Lithium
Regeneration Cycles, #	: 2
Shipping Weight, lbs.	: 2,850
Operating Weight, lbs.	: 3,700
Space Req'd in, L x W x H	: 55x48x118

Electrical Specifications

Supply Voltage	: 120VAC
Supply Frequency	: 60 Hz
Output Voltage	: 24VDC
Output Current:	: 800 mA



** Pipe and fittings shown not in scope*