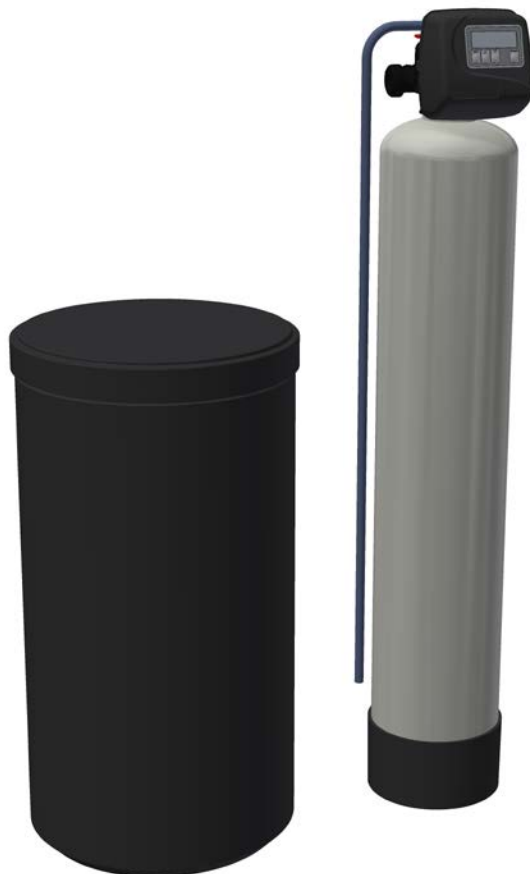




## **WATER SOFTENER 1.25" SIMPLEX INSTALLATION AND USER GUIDE**



## TABLE OF CONTENTS

1) Installation .....	2
1.1) Pre-installation instructions.....	2
1.2) General Installation and Service Warnings.....	2
1.3) Site Requirements.....	2
1.4) Loading Instructions.....	3
1.5) Installation Drawing.....	4
1.6) Piping and Instrumentation Drawing.....	5
1.7) System Drawing .....	6
1.8) Plumbing .....	7
1.9) Brine Line Connection.....	7
1.10) Overflow Line Connection.....	8
1.11) Drain Line .....	8
1.12) Bypass Valve.....	9
1.13) Start Up Instructions .....	11
2) Programming .....	12
2.1) Regeneration and Error Screens .....	12
2.2) Button Operation.....	12
2.3) User Displays.....	13
2.4) Setting Time of Day.....	14
2.5) Configuration Settings .....	14
2.6) Installer Display Settings.....	16
2.7) Softener System Setup.....	17
2.8) Diagnostics .....	21
3) Model Variable Programming and Components.....	23
3.1) Programming .....	23
3.2) Flow Controls and Injectors .....	23
3.3) Specifications .....	24
4) Control Valve.....	25
4.1) Control Valve Function and Cycles of Operation.....	25
4.2) Flow Diagrams.....	26
4.3) Components of Control Valve.....	29
5) Brine Tank Assembly.....	40
6) Quick Reference Guide .....	41
7) Troubleshooting Procedure .....	43
8) 5 Year Warranty.....	47

## 1) INSTALLATION

### 1.1) Pre-installation instructions

The cycle times, sequence of cycles, salt dose refill time and exchange capacity are preset to default by Excalibur. Installer must program the valve to recommended hardness, Day override and time of regeneration. Set time of day, read normal operating displays, read power loss and error displays if any.

#### WATER TEST

Hardness	_____	gpg
Iron	_____	ppm
pH	_____	number
*Nitrates	_____	ppm
Manganese	_____	ppm
Sulphur	_____	yes/no
Total Dissolved Solids	_____	

### 1.2) General Installation and Service Warnings

- The softener is designed so that it can be installed easily with minor plumbing changes on previous plumbing.
- The piping must be clamped properly and the weight of the plumbing must not be on the softener.
- Do not use any kind of lubricant including silicone. A silicone based lubricant can be only used on O- Rings but not necessary.
- The nuts and caps can be fastened and unfastened by hand or the plastic service wrench. Do not use pipe wrench to tighten the caps and nuts.

### 1.3) Site Requirements

- Water Pressure: - 40-110 psi
- Water Temperature: - 40-110°F (4.4-43°C)
- Electrical- 115/120 V, 60Hz Uninterrupted Outlet
- Current required is 0.5 Amperes
- The plug-in transformer is for dry locations only
- The tank should be on a firm level surface

## 1.4) Loading Instructions

**Step 1:** Check the product upon removal and remove from box packaging checking for any shipping damage or shortages that must be reported to Excalibur Water Systems immediately for confirmation.

**Step 2:** Insert distributor(s) inside of media mineral tank(s) so it is positioned properly in the bottom centre groove. If not already sized properly cut the top of the distributor pipe  $\frac{1}{2}$  -  $\frac{3}{4}$ " above top of tank opening and clean off and excess PVC materials with grit cloth.

**Step 3:** Plug the top inlet opening of the distributor (Hub & Lateral) or bottom stack with a clean cloth, rag, or tape to prevent any gravel or resin from entering into the distributor tube.

**Step 4:** Load the gravel under bedding onto the mineral tank using a funnel or some sort of loading device. If multiple layers of gravel with different sizes being utilized always load the largest gravel size in diameter to the smallest last.

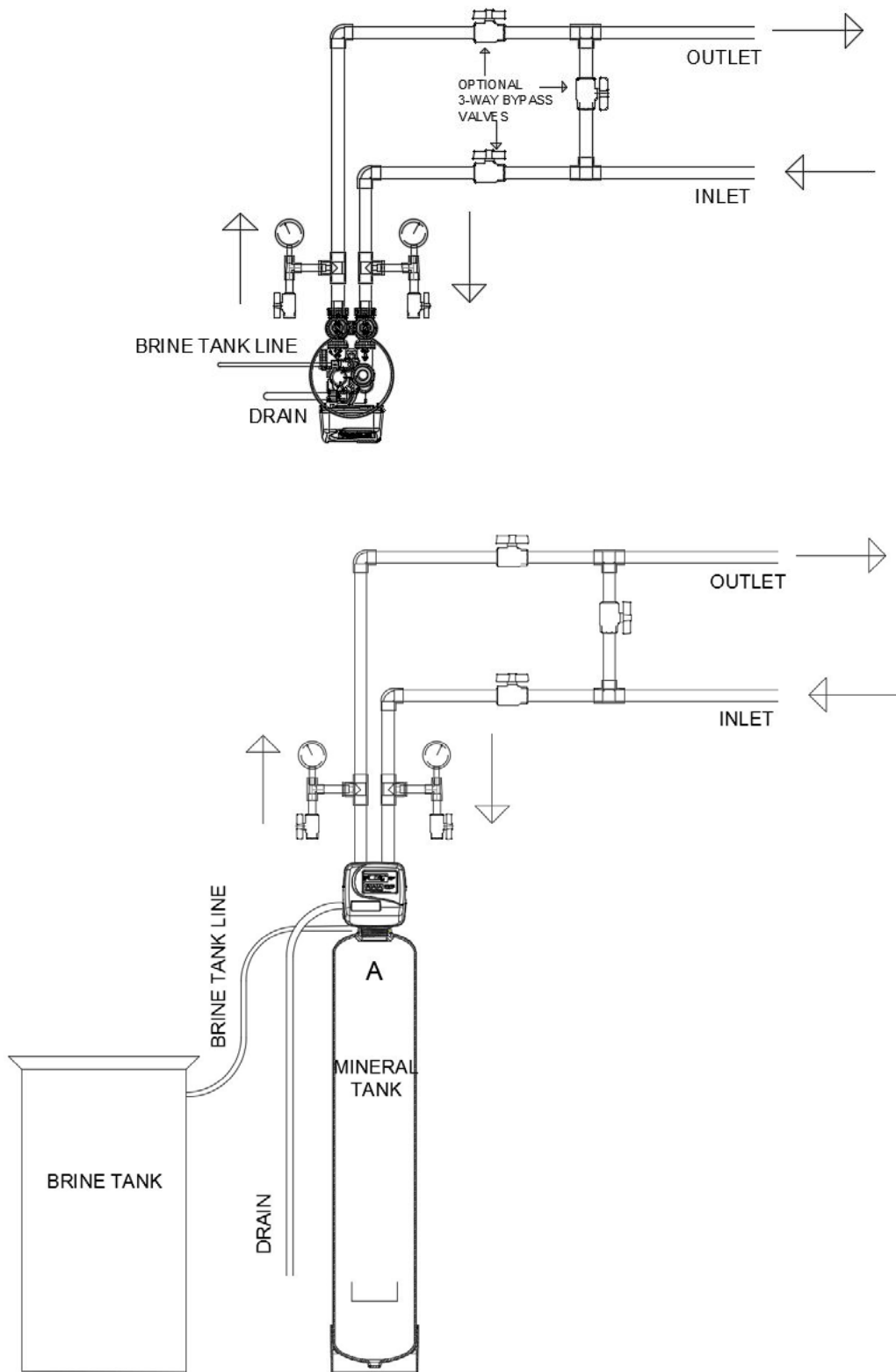
**Step 5:** Load the water softening cation exchange resin also by the use of a funnel or some sort of loading device until all resin is inside of mineral tank. If loading a duplex system that has two tanks divide the resin and gravel up equally when loading.

**Step 6:** Remove top opening cover of the distributor carefully not to move or disturb the distributor tube not allowing any debris or materials to get inside of the now loaded softener(s).

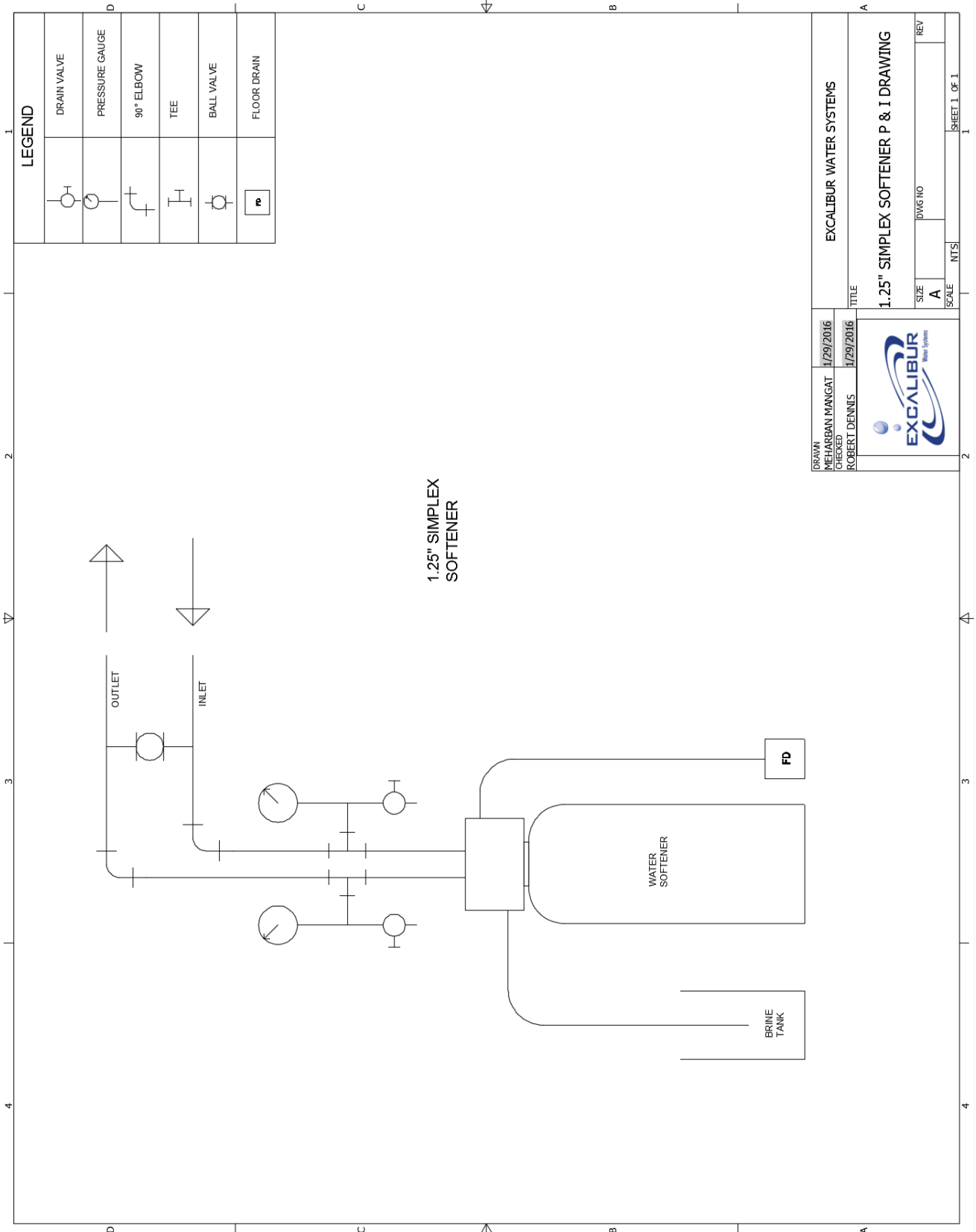
**Step 7:** Thread on control valves onto top opening tanks be sure to check and verify that the O-ring on the bottom base of the control valve is present and properly lubricated with silicone. Tighten control valve(s) clockwise until you have reached the end of the thread and have secured a water tight seal. (If control valves that utilize quick connect collars thread the collars the same into the tanks then attach control valves).

**Step 8:** Proceed now with the unit(s) in their proper installation locations to run piping and materials for all inlet, outlet, and drain connections properly with isolation valves and test ports for future water tests. Also, unions should be included in installation materials for easy future servicing of the control valves when necessary on all inlet, outlet, and drain lines.

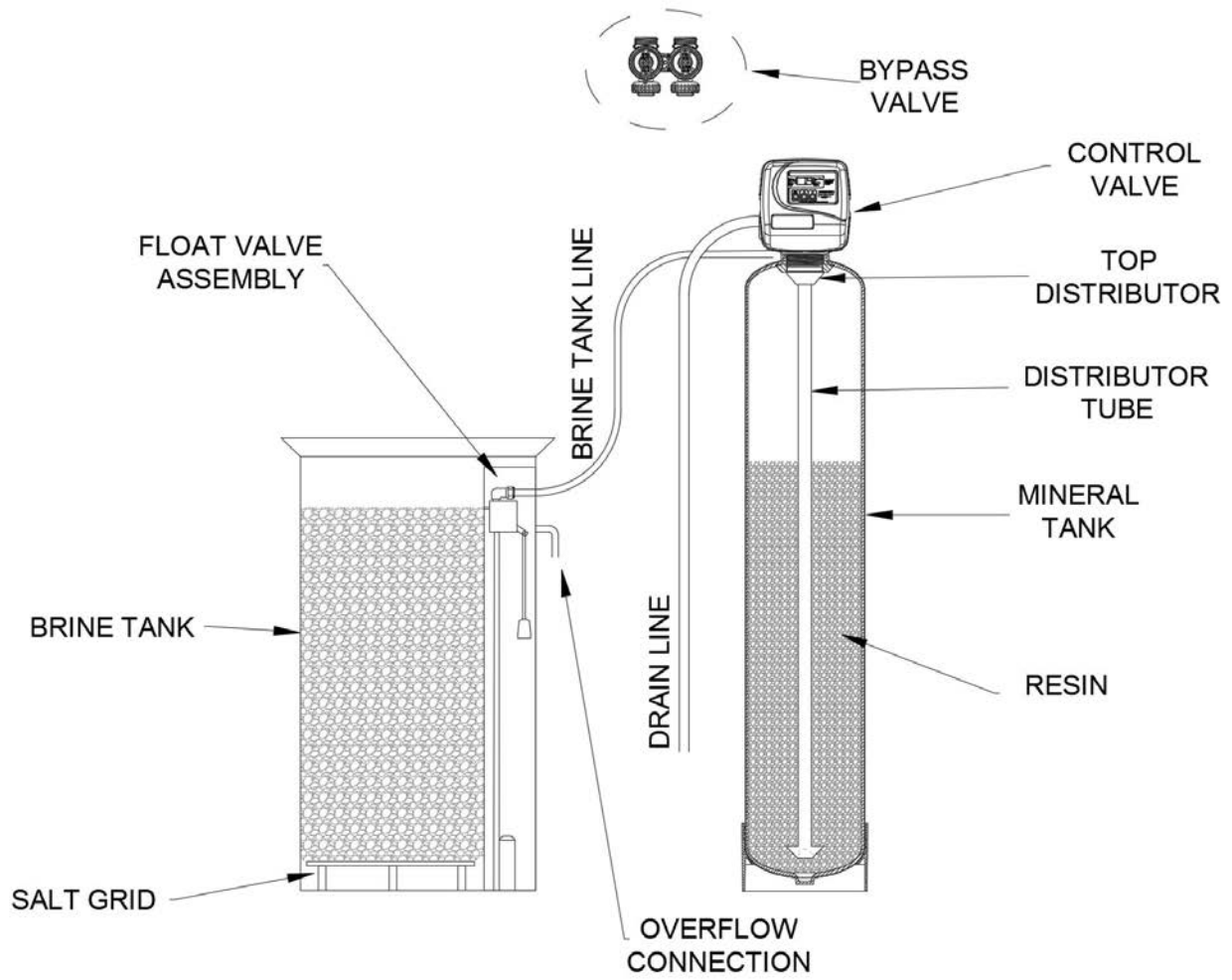
### 1.5) Installation Drawing

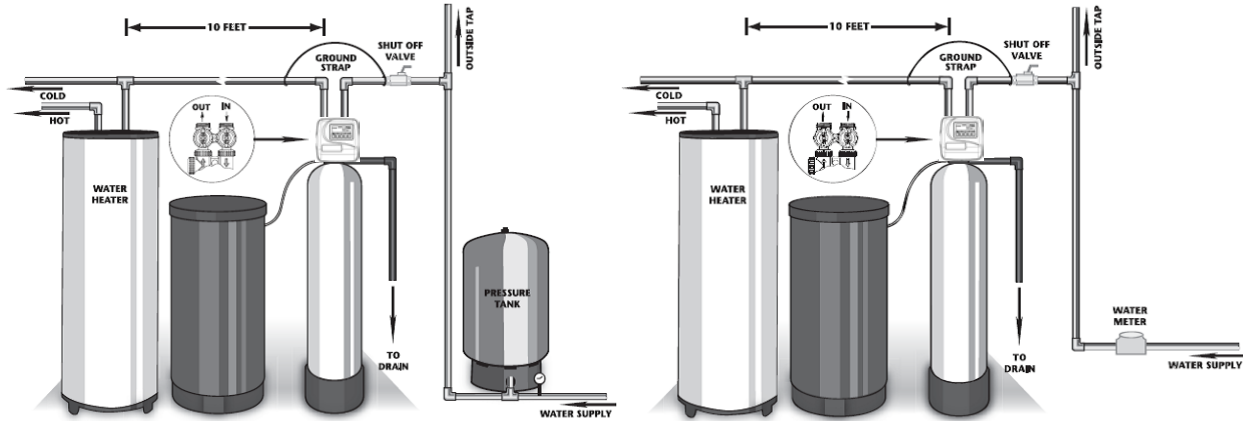


### 1.6) Piping and Instrumentation Drawing



1.7) System Drawing





Well Water Installation

Municipal Installation

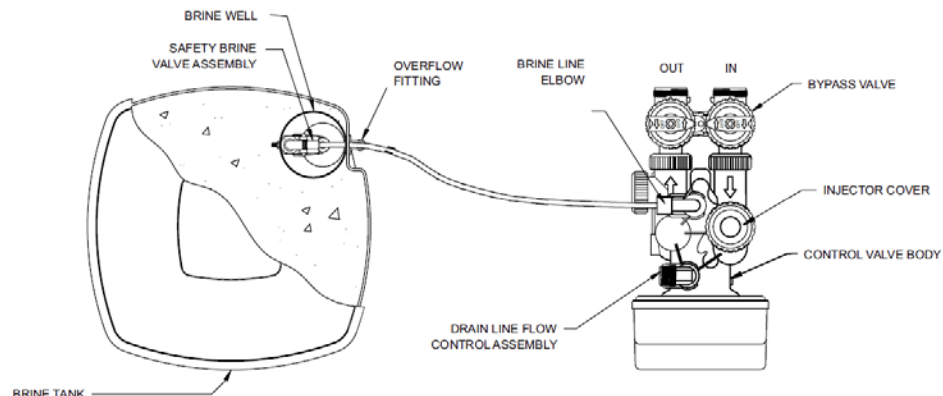
- 1) The softener must be close to drain as much as possible.
- 2) The salt must be refilled in brine tank with frequency stated by dealer.
- 3) The water heater's inlet and outlet must be at least 10ft away from softener.
- 4) The unit including the drain must be located in a room temperature above 33° F.
- 5) Never let the vacuum occur in tank this may cause implosion and leakage. If vacuum occurrence is expected than vacuum breaker must be installed in line.

### 1.8) Plumbing

- The bypass valve must be installed on the control valve.
- The outside tap water must be bypassed from the softener.
- The shutoff valve must be installed at the inlet of unit's bypass valve.
- The primer, solder or solder flux must not get on the O-rings.
- After soldering the lines must be cooled before installing the O-Rings, nuts and caps.
- If the electrical system is grounded to the plumbing than copper strap must be connected between inlet and outlet as shown in figure above.
- The plumbing must be done by following the local plumbing codes.

### 1.9) Brine Line Connection

Install the 1/2" or 3/8" O.D. Polyethylene tube according to specification sheet from the brine tank to the control valve.



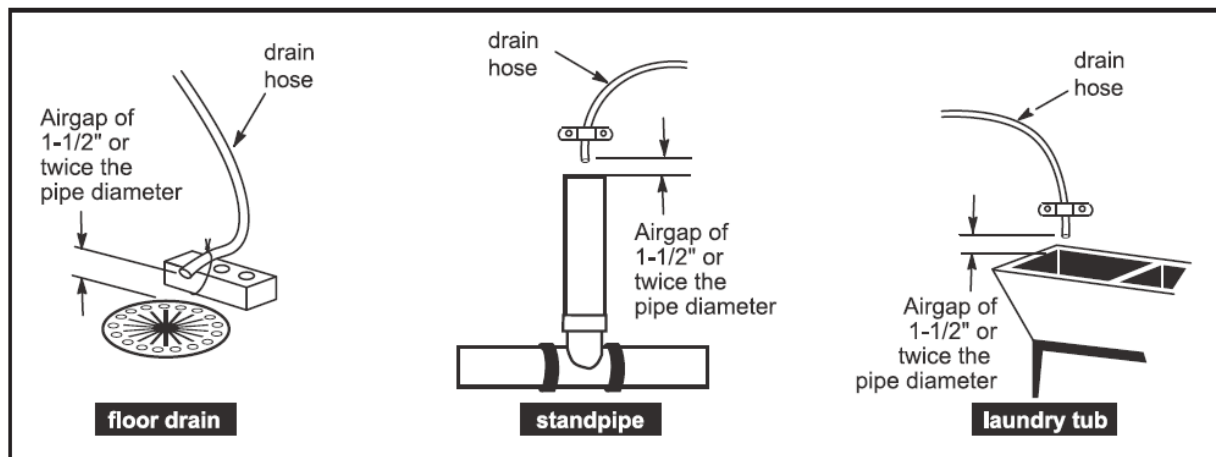


### 1.10) Overflow Line Connection

The overflow drain line is used where overflow of the brine tank can damage the floor finishing or structure. The brine tank line is equipped with safety float valve which prevents the overflow so, the overflow line is only used in case is overflow float valve fails. The overflow line will transfer fluid from brine tank to the drain hence prevents the spillage.

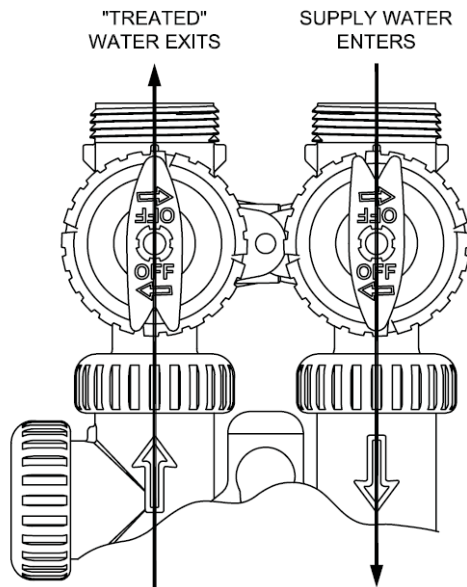
### 1.11) Drain Line

- The size of the drain must be according to the specifications.
- Leave minimum of 6" gap between flow control fitting and solder joints. The gap less than this can damage the flow control.
- Use  $\frac{3}{4}$ " or 1" tubing for drain line according to the specifications.
- If the drain line is elevated and then emptied into the drain below the level the of control valve the 7" loop should make at the end of drain line.
- The air gap between the drain and the end of the drain line must be twice the diameter of the tube.
- The strap must be tied at the end to secure the line.



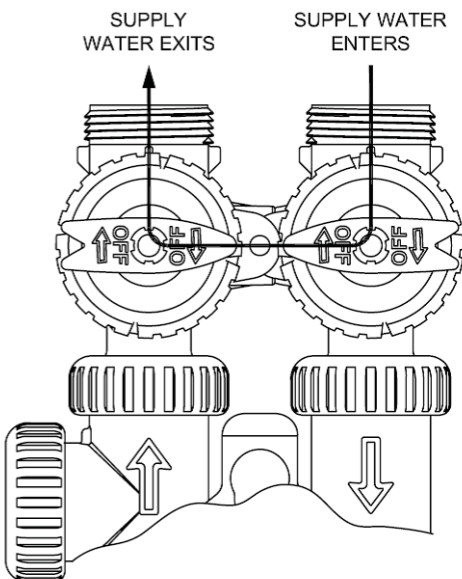
## 1.12) Bypass Valve

## NORMAL OPERATION



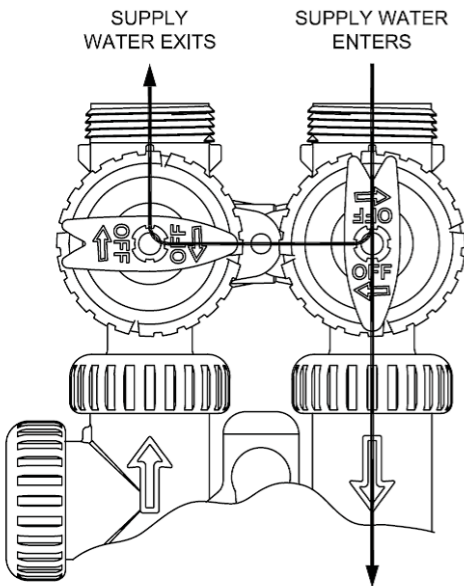
The inlet and outlet handles point in the direction of flow indicated by the engraved arrows on the control valve. Water flows through the control valve for normal operation of a water softener. During the regeneration cycle this position provides regeneration water to the unit, while also providing untreated water to the distribution system

## BYPASS OPERATION



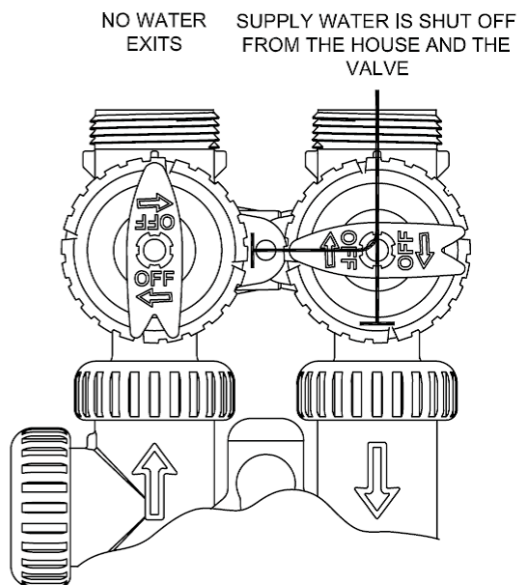
The inlet and outlet handles point to the center of the bypass. The system is isolated from the water pressure in the plumbing system. Untreated water is supplied to the building

## DIAGNOSTIC MODE



The inlet handle points in the direction of flow and the outlet handle points to the center of bypass valve, system water pressure is allowed to the control valve and the plumbing system while not allowing water to exit from the control valve to the plumbing.

## SHUT OFF MODE



The inlet handle points to the center of the bypass valve and the outlet handle points in the direction of flow, the water is shut off to the plumbing system. If water is available on the outlet side of the softener it is an indication of water bypass around the system (i.e. a plumbing connection somewhere in the building bypasses the system).

### 1.13) Start Up Instructions

- Keep the bypass valve in bypass operation by moving both the handles into the center direction of the bypass valve. Now the untreated water is being supplied to house. Open the faucet until water comes clear out of it. The initial water can be dirty because of installation debris. Now inspect the leaks in plumbing.
- Manually add approximate 5 gallons of water to brine tank so that level reaches air check valve. Press and hold the “REGEN” button down for 5 seconds to start manual regeneration. The drive motor will start the backwash cycle and countdown time begins. Turn the inlet bypass valve handles halfway into the direction of service operation. Once the steady water flows out of drain then fully open the bypass valve into the direction of service operation.
- When the water become clear in drain line then press the regen button to advance the regeneration in brine cycle. Fully open the faucet and check if water is being drawn from brine tank. Allow this cycle to run for 3 minutes.
- Press REGEN button to advance the regeneration to rinse cycle. The water will come through the drain. Allow this process until water coming through the drain becomes clear.
- Add salt to the tank and allow ample time to dissolve it in water to become brine solution.

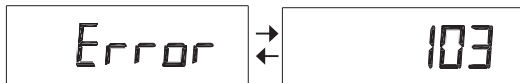
## 2) PROGRAMMING

### 2.1) Regeneration and Error Screens



#### Regen Screen

Displays the time remaining in the current cycle. Pressing REGEN advances to the next cycle.



#### Error Screen

Alternated flashing Error and error code every 3 seconds. Clear by disconnecting the power supply at the PC board and reconnecting, or press NEXT and REGEN simultaneously for 3 seconds.

### 2.2) Button Operation



Scrolls to the next display.



- Pressing once and releasing will schedule a regeneration at the preset delayed regeneration time.
- Pressing again and releasing will cancel the regeneration.
- Pressing and holding for 3 seconds will initiate an immediate regeneration
- Pressing while in regeneration will advance to the next cycle.
- Pressing in the program levels will go backwards to the previous screen



Change Variable being displayed.



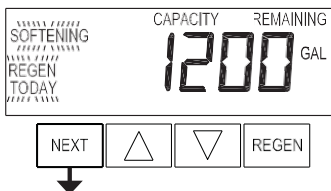
Key sequence to lock and unlock program settings



Holding for 3 seconds initiates a control reset. The software version is displayed and the piston returns to the home/service position, resynchronizing the valve.

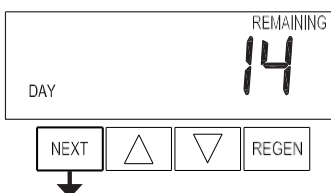
## 2.3) User Displays

When the system is operating, one of five displays may be shown. Pressing NEXT will alternate between the displays shown below.



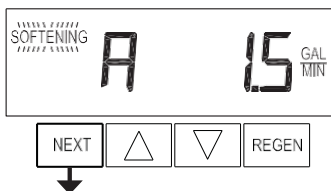
### User 1

Typical user display. Shows volume remaining to regeneration. This screen will not be viewed if the control is set for time-clock operation.



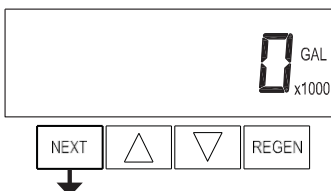
### User 2

Displays number of days to next regeneration.



### User 3

Flow Rate.  
Displays present flow rate.



### User 4

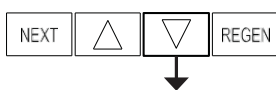
Displays total volume in gallons since last reset. If a meter is not used this display will be shown but 0 will be displayed.  
PRESS ▼ FOR 3 SECONDS TO RESET TO 0.



### User 5

Shows current time.

## 2.4) Setting Time of Day



Push NEXT until time of day screen is displayed. Press and hold ▼ until SET TIME is displayed and the hour flashes once. Press ▲ or ▼ until the correct hour is displayed.

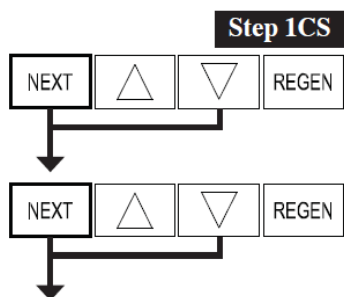


Then press NEXT. The minutes will flash. Press ▲ or ▼ until the correct minute is displayed.

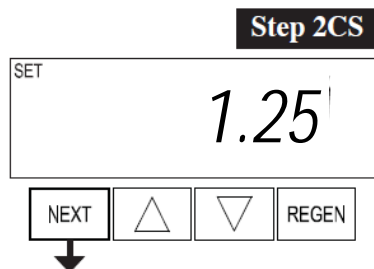


Press NEXT to return to the User Displays. Time of day should only need to be set after power outages lasting more than 8 hours, if the battery has been depleted and a power outage occurs, or when daylight saving time begins or ends. If a power outage lasting more than 8 hours occurs, the time of day will flash on and off which indicates the time of day should be reset. If a power outage lasts less than 8 hours and the time of day flashes on and off, the time of day should be reset and the battery replaced.

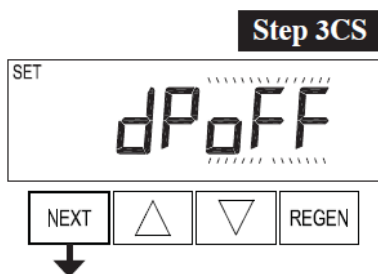
## 2.5) Configuration Settings



**Step 1CS** – Press NEXT and ▼ simultaneously for 5 seconds and release. Press NEXT and ▼ simultaneously for 5 seconds and release. If the screen in Step 2CS does not appear, the lock on the valve is activated. To unlock, press ▼, NEXT, ▲ and REGEN in sequence, then press NEXT and ▼ simultaneously for 5 seconds and release. Press NEXT and ▼ simultaneously for 5 seconds and release.



**Step 2CS** – Use ▲ or ▼ to select 1.25 for 1.25" valve.



**Step 3CS** – Selecting the use of an outside signal to initiate a regeneration. Selection only matters if a connection is made to the two pin connector labeled DP SWITCH located on the printed circuit board.

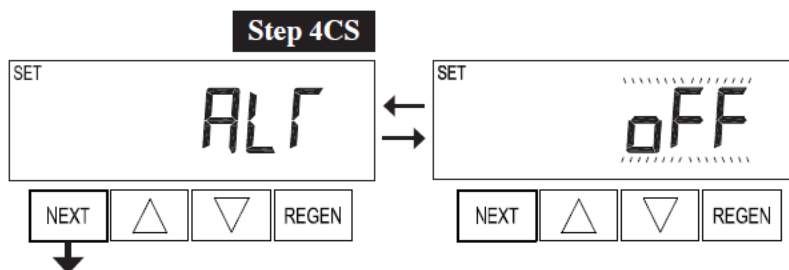
Select oFF - feature not used. Other options are described below.

on0 – If the dP switch is closed for an accumulative time of 2 minutes a regeneration will be signaled to the unit.

dEL – If the dP switch is closed for an accumulative time of 2 minutes a regeneration will occur at the scheduled delayed regeneration time.

HoLd – If the dP switch is closed a regeneration will be prevented from occurring while there is switch closure.

Press NEXT to go to Step 4CS. Press REGEN to return to previous step.



**Step 4CS** – Select OFF when none of below given features are used.

Note: - This display will not appear if 1.0t was selected in Step 2CS. Allows selection of one of the following using ▲ or ▼:

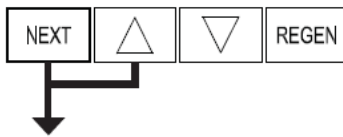
- the Control Valve to have no hard water bypass;
- the Control Valve to act as an alternator;
- the Control Valve to have a separate source during the regeneration cycle; or
- the Control Valve to operate with the System Controller.

#### EXIT TO DISPLAY SCREENS



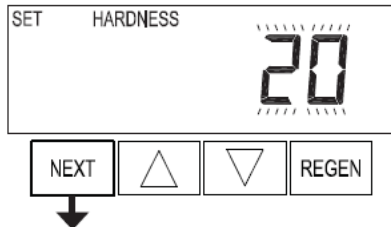
## 2.6) Installer Display Settings

### Step 1I



**Step 1I** - To enter Installer Display press NEXT and ▲ simultaneously for about 5 seconds and release.

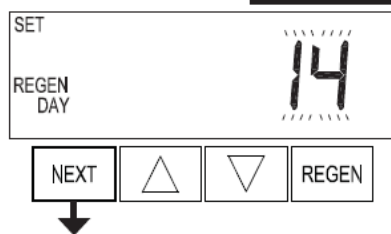
### Step 2I



**Step 2I** – Hardness: Set the amount of infl uent hardness using ▲ or ▼. If “oFF” or a number was selected in Step 1I.

Press NEXT to go to step 3I. Press REGEN to exit Installer Display Settings.

### Step 3I



**Step 3I** – Day Override: When volume capacity is set to “oFF”, sets the number of days between regenerations. When volume capacity is set to AUTO or to a volume, sets the maximum number of days between regenerations. If value set to “oFF”, regeneration initiation is triggered solely by volume used.

If value is set in days (allowable range from 1 to 28) regeneration initiation will be called for on that day regardless of actual water usage. Set Day Override using ▲ or ▼:

- number of days between regeneration (1 to 28); or
- “oFF”.

See Setting Options Table for more detail on setup.

Press NEXT to go to step 4I. Press REGEN to return to previous step.

### Step 4I



**Step 4I** – Next Regeneration Time (hour): Set the hour of day for regeneration using ▲ or ▼. The default time is 2:00. This display will show “REGEN on 0 GAL” if “on 0” is selected in Set Regeneration Time Option in OEM Softener System Setup or OEM Filter System Setup.

Press NEXT to go to step 5I. Press REGEN to return to previous step.

### Step 5I

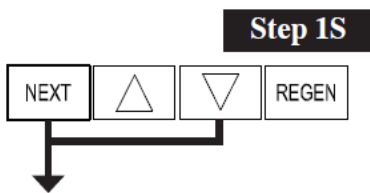


**Step 5I** – Next Regeneration Time (minutes): Set the minutes of day for regeneration using ▲ or ▼. This display will not be shown if “on 0” is selected in Set Regeneration Time Option in OEM Softener System Setup or OEM Filter System Setup.

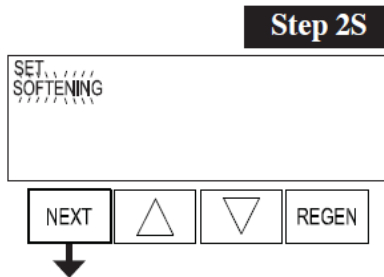
Press NEXT to exit Installer Display Settings. Press REGEN to return to previous step.

**Exit Installer Display Settings**

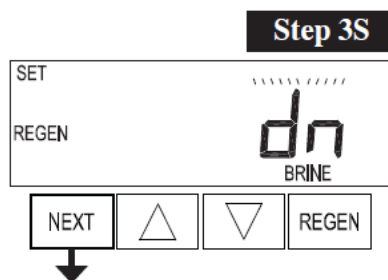
## 2.7) Softener System Setup



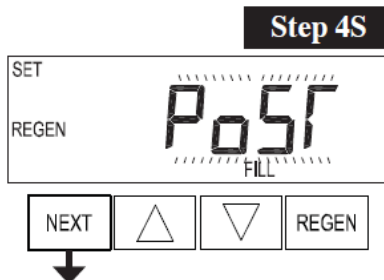
**Step 1S** - Press NEXT and ▼ simultaneously for 5 seconds and release. If screen in Step 2S does not appear, the lock on valve programming has been activated. To unlock press ▼, NEXT, ▲, REGEN in sequence, then press NEXT and ▼ simultaneously for 5 seconds and release.



**Step 2S** – Choose SOFTENING using ▲ or ▼. Press NEXT to go to Step 3S. Press REGEN to exit OEM Softener System Setup.



**Step 3S** – Choose Downflow Brining Direction using ▲ or ▼. This screen is not viewed when Step 2S is set to Filtering. Press NEXT to go to Step 4S. Press REGEN to return to previous step.

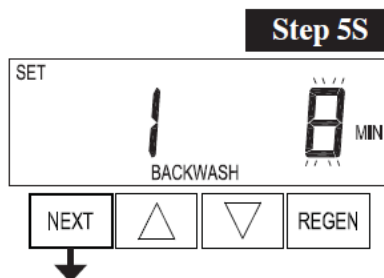


**Step 4S** – Set Refill location using ▲ or ▼:

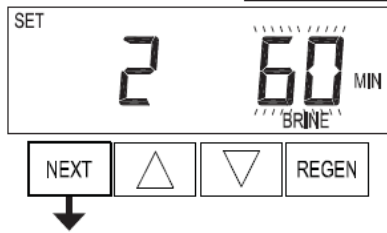
- “PoSt” to refill the brine tank after the final rinse; or
- “PrE” to refill the brine tank four hours before the regeneration time set.

This screen is not viewed when Step 2S is set to Filtering.

Press NEXT to go to Step 5S. Press REGEN to return to previous step.



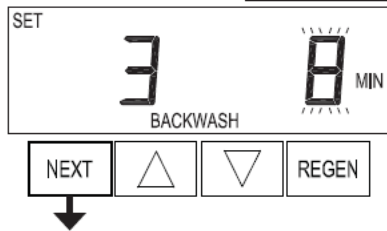
**Step 5S** – Select the time for the first cycle using ▲ or ▼. Press NEXT to go to Step 6S. Press REGEN to return to previous step.

**Step 6S**

**Step 6S** – Select the time for the second cycle using ▲ or ▼.

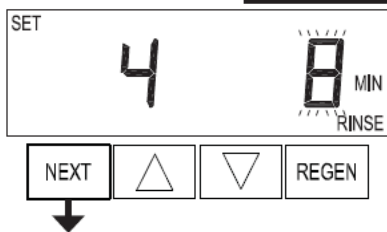
NOTE: The display will flash between cycle number and time, and brine direction (UP or dn).

Press NEXT to go to Step 7S. Press REGEN to return to previous step.

**Step 7S**

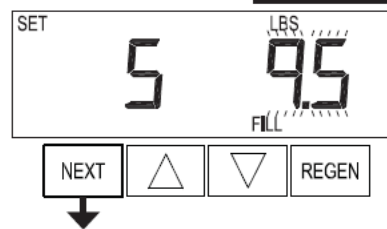
**Step 7S** – Select the time for the third cycle using ▲ or ▼.

Press NEXT to go to Step 8S. Press REGEN to return to previous step.

**Step 8S**

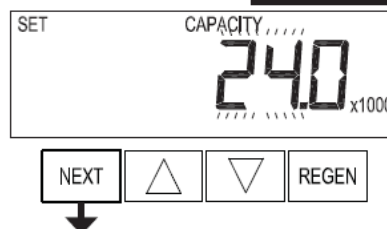
**Step 8S** – Select the time for the fourth cycle using ▲ or ▼.

Press NEXT to go to Step 9S. Press REGEN to return to previous step.

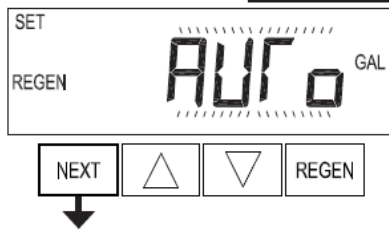
**Step 9S**

**Step 9S** – Select the pounds for the fifth cycle using ▲ or ▼.

Press NEXT to go to Step 10S. Press REGEN to return to previous step.

**Step 10S**

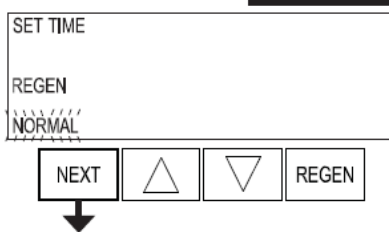
**Step 10S** – Set System Capacity using ▲ or ▼. The System Capacity setting should be based on the volume of resin and LBS of salt fill set in Step 9S. Press NEXT to go to Step 11S. Press REGEN to return to previous step.

**Step 11S**

**Step 11S** – Set Volume Capacity using ▲ or ▼. If value is set to:

- “AUTO” capacity will be automatically calculated and reserve capacity will be automatically estimated;
- “oFF” regeneration will be triggered solely by the day override setting (see Installer Display/Settings Step 4I);
- a number, regeneration will be triggered by the value specified (in Gallons).

If “oFF” or a volume is used, the hardness display will not be allowed to be set in Installer Display Settings Step 2I. See Setting Options Table for more detail. Press NEXT to go to Step 12S. Press REGEN to return to previous step.

**Step 12S**

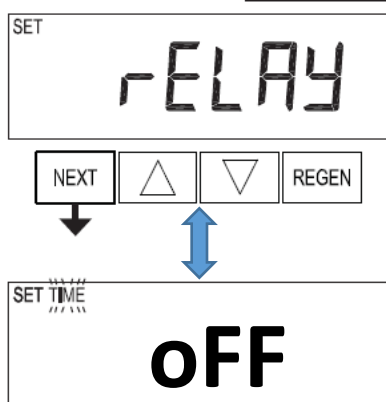
**Step 12S** – Set Regeneration Time Options using ▲ or ▼. If value is set to:

- “NORMAL” means regeneration will occur at the preset time;
- “on 0” means regeneration will occur immediately when the volume capacity reaches 0 (zero); or
- “NORMAL + on 0” means regeneration will occur at one of the following:

- the preset time when the volume capacity falls below the reserve or the specified number of days between regenerations is reached whichever comes first; or
- immediately after 10 minutes of no water usage when the volume capacity reaches 0 (zero).

This step will not appear if Step 11S is set to oFF.

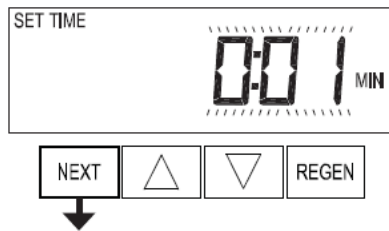
Press NEXT to go to Step 13S. Press REGEN to return to previous step.

**Step 13S**

**Step 13S** – Set Relay Operation using ▲ or ▼. The choices are:

- Time on: Relay activates after a set time at the beginning of a regeneration and then deactivates after a set period of time. The start of regeneration is defined as the first backwash cycle or Dn brine cycle, whichever comes first.
- Gallons softening on: Relay activates after a set number of gallons have been used while in service and then deactivates after the meter stops registering flow and the set time period has expired.
- Gallons Softening Regen on: Relay activates after a set number of gallons have been used while in service, or during regeneration, and then deactivates after the meter stops registering flow and the set time period has expired.
- ERROR: Relay closes whenever the valve enters error mode, and immediately deactivates when error mode is exited. If set to ERROR, Steps 14S and 15S will not be shown.
- Off: If set to Off, Steps 14S and 15S will not be shown.

Press NEXT to go to Step 14S. Press REGEN to return to previous step.

**Step 14S**

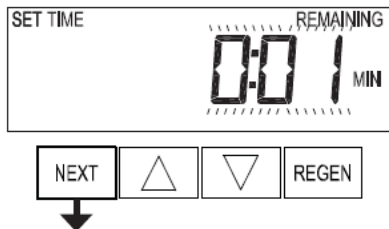
**Step 14S** – Set Relay Actuation Time or Gallons using ▲ or ▼. The choices are:

- Relay Actuation Time: After the start of a regeneration the amount of time that should pass prior to activating the relay. The start of regeneration is defined as the first backwash cycle, Dn brine cycle or UP brine cycle whichever comes first. Ranges from 1 second to 200 minutes.

- Relay Actuation Gallons: Relay activates after a set number of gallons has passed through the meter.

Ranges from 1 to 200 gallons.

Press NEXT to go to Step 15S. Press REGEN to return to previous step.

**Step 15S**

**Step 15S** – Set Relay Deactivate Time using ▲ or ▼.

- If Set Time on is selected in Step 13S the relay will deactivate after the time set has expired. Ranges from 1 second to 200 minutes.

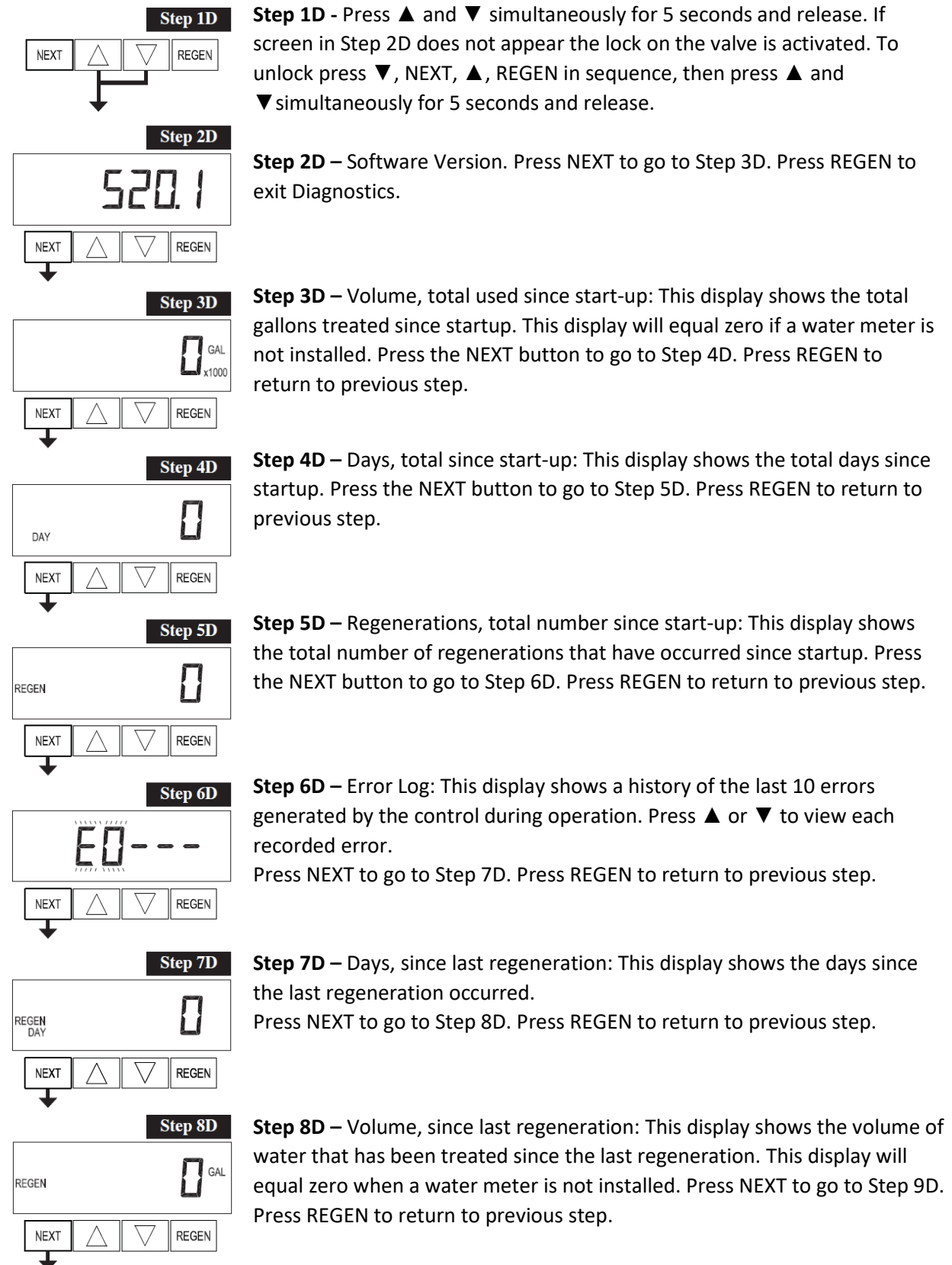
- If Set Gallons Softening on or Set Gallons Softening Regen on is selected in Step 13S the relay will deactivate after the time set has expired or after the meter stops registering flow, whichever comes first.

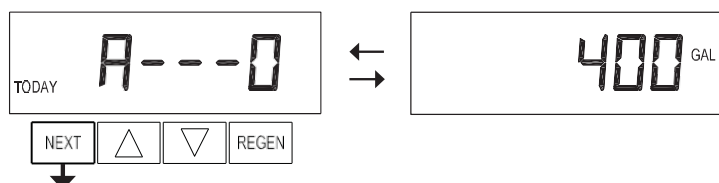
Ranges from 1 second to 20 minutes.

Press NEXT to exit OEM Softener System Setup. Press REGEN to return to previous step.

**Exit OEM Softener System Setup**

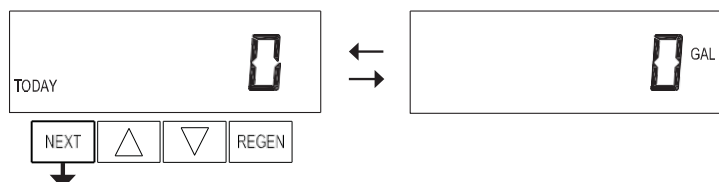
## 2.8) Diagnostics



**Step 9D**

**Step 9D** – Volume, reserve capacity used for last 7 days. This display shows day 0 (for today) and flashes the reserve capacity. Pressing ▲ will show day 1 (which would be yesterday) and flashes the reserve capacity used. Pressing ▲ again will show day 2 (the day before yesterday) and the reserve capacity. Keep pressing ▲ to show the capacity for days 3, 4, 5 and 6. ▼ can be pressed to move backwards in the day series.

Press NEXT at any time to go to Step 10D. Press REGEN to return to previous step.

**Step 10D**

**Step 10D** – Volume, 63-day usage history: This display shows day 0 (for today) and flashes the volume of water treated today. Pressing ▲ will show day 1 (which would be yesterday) and flashes the volume of water treated on that day. Continue to press ▲ to show the maximum volume of water treated for the last 63 days. If a regeneration occurred on the day the word “REGEN” will also be displayed. This display will show dashes if a water meter is not installed.

Press NEXT at any time to go to Step 11D. Press REGEN to return to previous step.

### 3) MODEL VARIABLE PROGRAMMING AND COMPONENTS

#### 3.1) Programming

OEM Softener System Setup								
Model # ↓	Mineral Tank	Brine Tank	5S	6S	7S	8S	9S	10S
Step →			Backwash Mins	Brine Mins	2nd Backwash Mins	Rinse Mins	Salt LBS	System Capacity Kgr
EWS S12530	9x48	18x33	8	60	6	4	15 (10)	30.0 (27.0)
EWS S12545	10x54	18x33	8	60	6	4	22.5 (15)	45.0 (40.5)
EWS S12560	12x52	18x33	8	60	8	6	30 (20)	60.0 (54.0)
EWS S12575	13x54	18x40	8	60	8	6	37.5 (25)	75.0 (67.5)
EWS S12590	14x65	24x41	8	60	8	8	45 (30)	90.0 (81.0)
EWS S125120	16x65	24x41	8	60	8	8	60 (40)	120.0 (108.0)
EWS S125150	18x65	24x50	8	60	10	8	75 (50)	150.0 (135.0)
EWS S125180	18x65	24x50	10	60	10	8	90 (60)	180.0 (162.0)
EWS S125210	21x62	24x50	10	60	10	8	105 (70)	210.0 (189.0)

Configuration Settings				
Step #	2CS	3CS	4CS	5CS
Option	1.0	oFF	oFF	LBS

These options will be similar for all 1.25" Simplex Water Softeners

OEM Softener System Setup						
Step #	2S	3S	4S	11S	12S	13S
Option	Softening	Down	Post	Auto	NORMAL	Off

#### 3.2) Flow Controls and Injectors

Model #	Mineral Tank	Brine Tank	Injector		Drain Flow Control		
			Color	Order #	Flow GPM	Drain Line Size	Order #
EWS S12530	9x48	18x33	Red	CLK V30101D	2.2	3/4"	CLK V3162027
EWS S12545	10x54	18x33	White	CLK V30101E	2.7		CLK V3162027
EWS S12560	12x52	18x33	Blue	CLK V30101F	3.2		CLK V3162032
EWS S12575	13x54	18x40	Yellow	CLK V30101G	4.2		CLK V3162042
EWS S12590	14x65	24x41	Green	CLK V30101H	5.3		CLK V3162053
EWS S125120	16x65	24x41	Orange	CLK V30101I	6.5		CLK V3162065
EWS S125150	18x65	24x50	Light Blue	CLK V30101J	9.0		CLK V3162090
EWS S125180	18x65	24x50	Light Blue	CLK V30101J	9.0	CLK V3162090	
EWS S125210	21x62	24x50	Light Green	CLK V30101K	11.0	1"	CLK V3190110



### 3.3) Specifications

1.25" Simplex Specifications	Model #	EWS S12530	EWS S12545	EWS S12560	EWS S12575	EWS S12590	EWS S125120	EWS S125150	EWS S125180	EWS S125210
	Mineral Tank	9x48	10x54	12x52	13x54	14x65	16x65	18x65	18x65	21x62
	Brine Tank	18x33	18x33	18x33	18x40	24x41	24x41	24x50	24x50	24x50
Salt Dose per Regeneration	15 lbs/ft <sup>3</sup>	15	22.5	30	37.5	45	60	75	90	105
	10 lbs/ft <sup>3</sup>	10	15	20	25	30	40	50	60	70
Capacity	15 lbs/ft <sup>3</sup>	30	45	60	75	90	120	150	180	210
	10 lbs/ft <sup>3</sup>	27	40.5	54	67.5	81	108	135	162	189
Flow@ Pressure Drop (gpm)	15psi	10	12	14	16	17	19	21	22	24
	25psi	15	17	19	21	22	24	25	26	27
Flow	Critical Flow	5	7.5	10	12.5	15	20	25	25	25
	Backwash Flow	2.7	2.7	3.2	4.2	5.3	6.5	9	9	11
Shipping Weight (lbs)		90	115	150	250	350	450	600	650	750

## 4) CONTROL VALVE

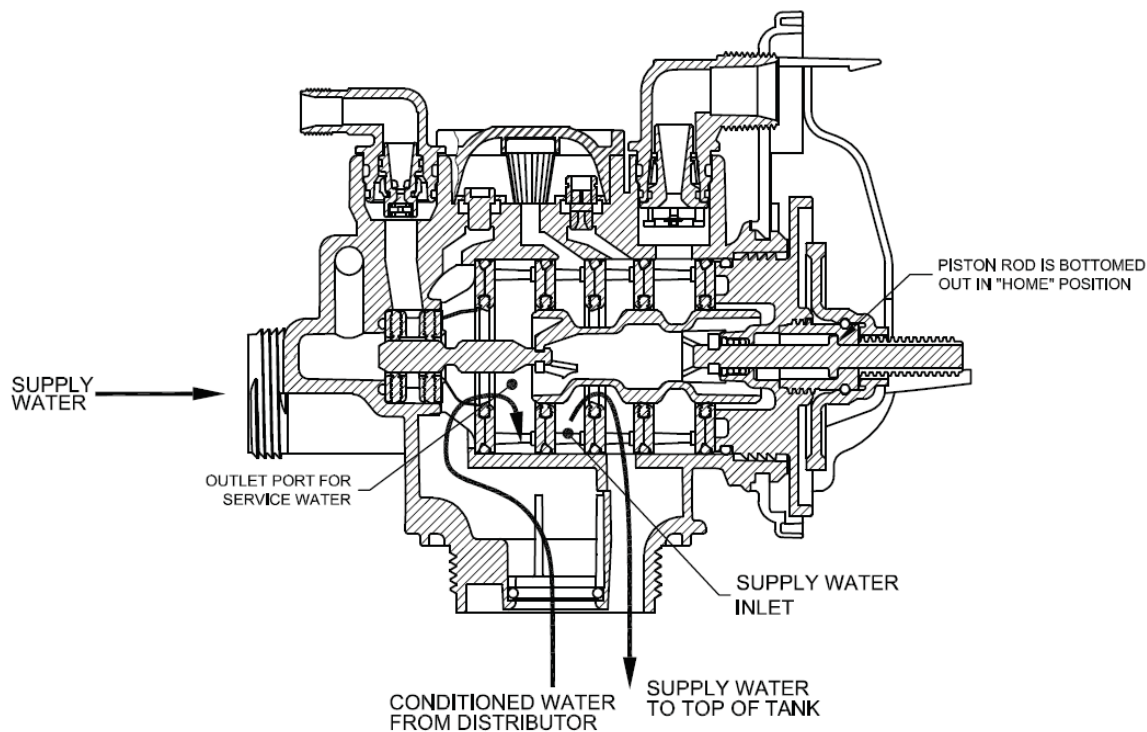
### 4.1) Control Valve Function and Cycles of Operation

The control valve is compatible with a variety of regenerants and resin cleaners. The control valve is capable of routing the flow of water in the necessary paths to regenerate or backwash water treatment systems. The injector regulates the flow of brine or other regenerants. The control valve regulates the flow rates for backwashing, rinsing, and the replenishing of treated water into a regenerant tank, when applicable.

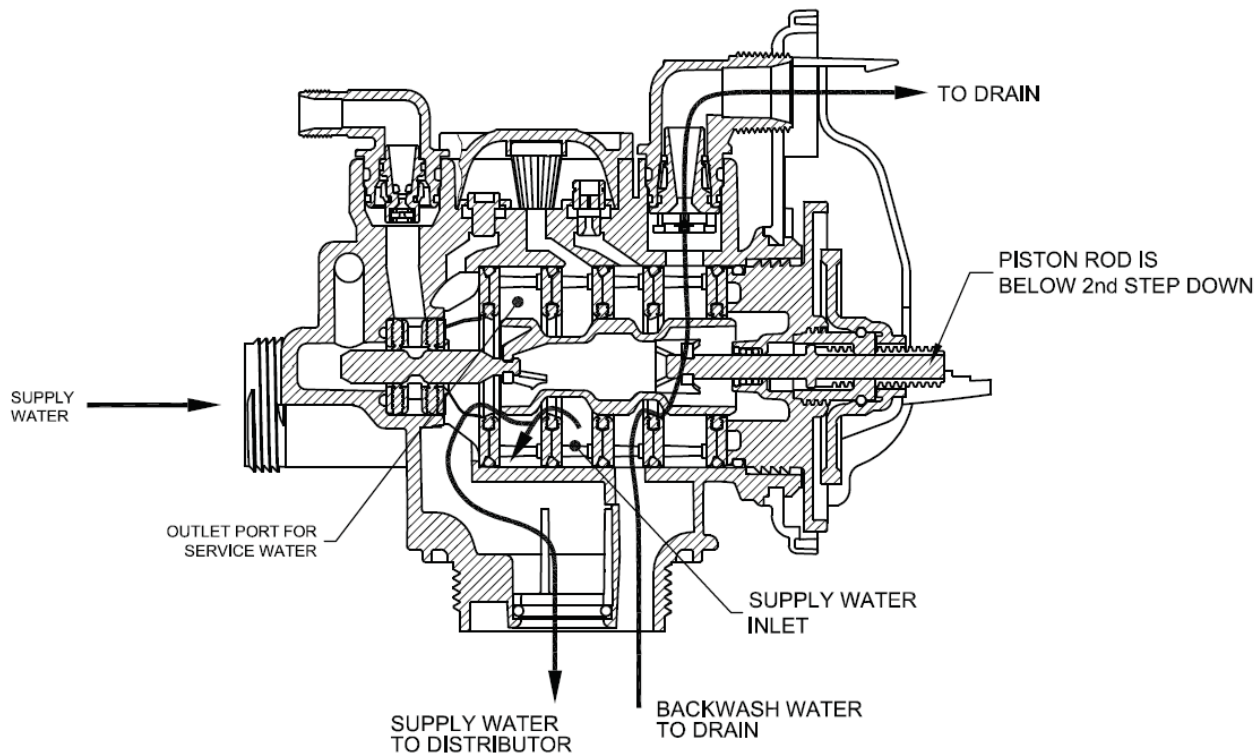
The control valve uses no traditional fasteners (e.g. screws); instead clips, threaded caps and nuts and snap type latches are used. Caps and nuts only need to be firmly hand tightened because radial seals are used. Tools required to service the valve include one small blade screw driver, one large blade screw driver, pliers and a pair of hands. A plastic wrench is available which eliminates the need for screwdrivers and pliers. Disassembly for servicing takes much less time than comparable products currently on the market. Control valve installation is made easy because the distributor tube can be cut  $\frac{1}{2}$ " above to  $\frac{1}{2}$ " below the top of tank thread. The distributor tube is held in place by an O-ring seal and the control valve also has a bayonet lock feature for upper distributor baskets.

The AC adapter power pack comes with a 15 foot power cord and is designed for use with the control valve. The AC adapter power pack is for dry location use only. The control valve remembers all settings for up to 8 hours if the power goes out and the battery is not depleted. After 8 hours, the only item that needs to be reset is the time of day; other values are permanently stored in the nonvolatile memory. If a power loss lasts less than 8 hours and the time flashes on and off, the time of day should be reset and the non-rechargeable battery should be replaced.

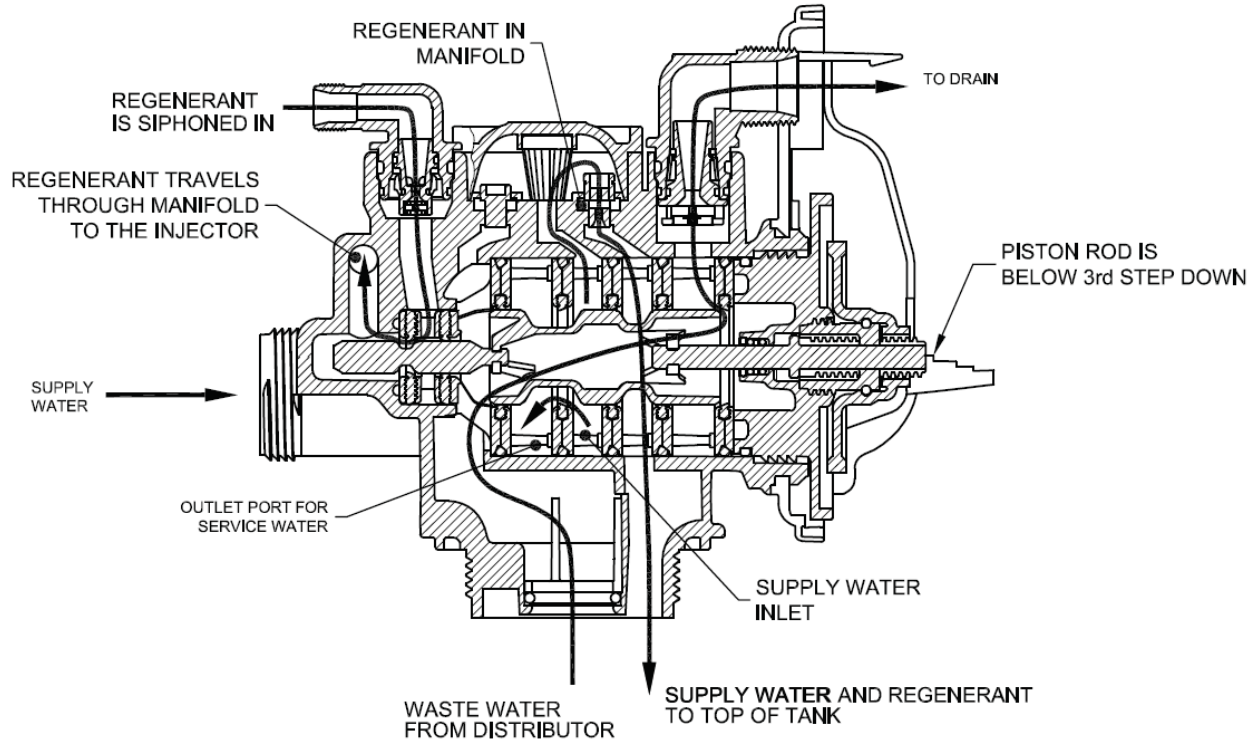
4.2) Flow Diagrams



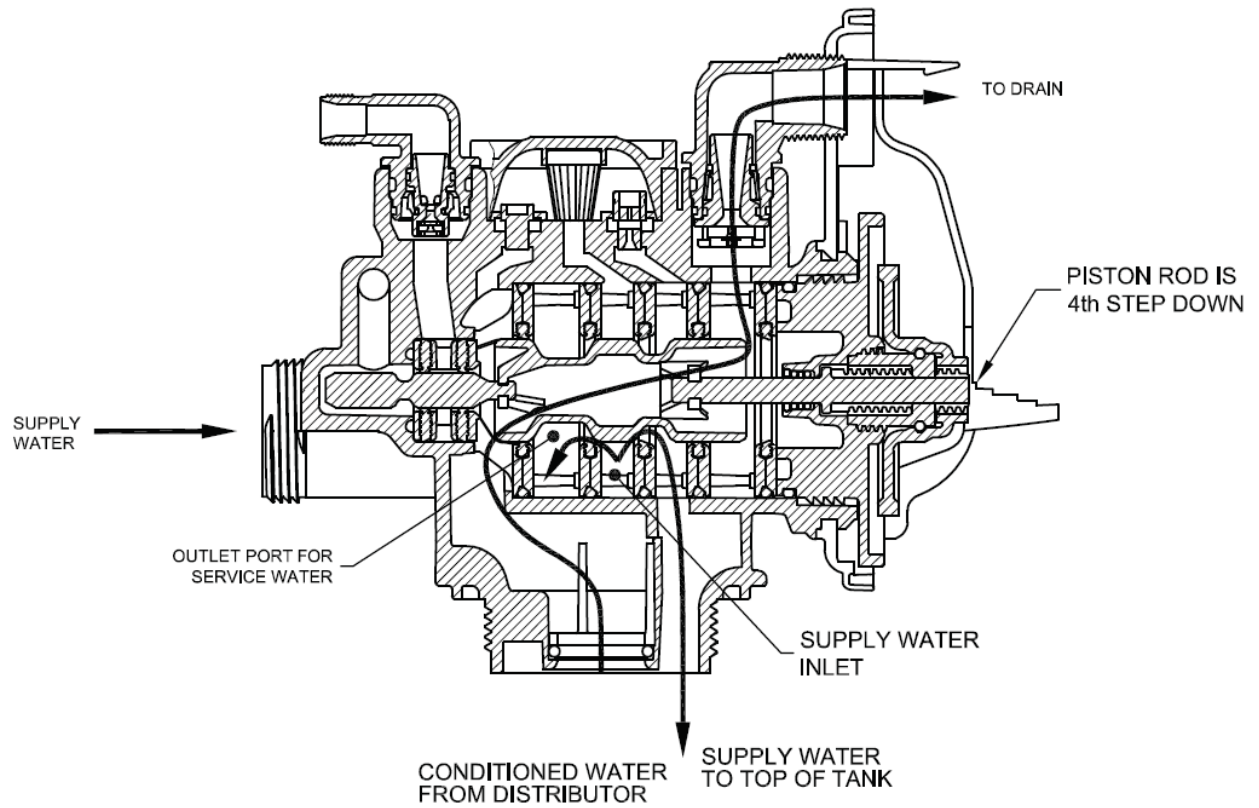
**SERVICE**



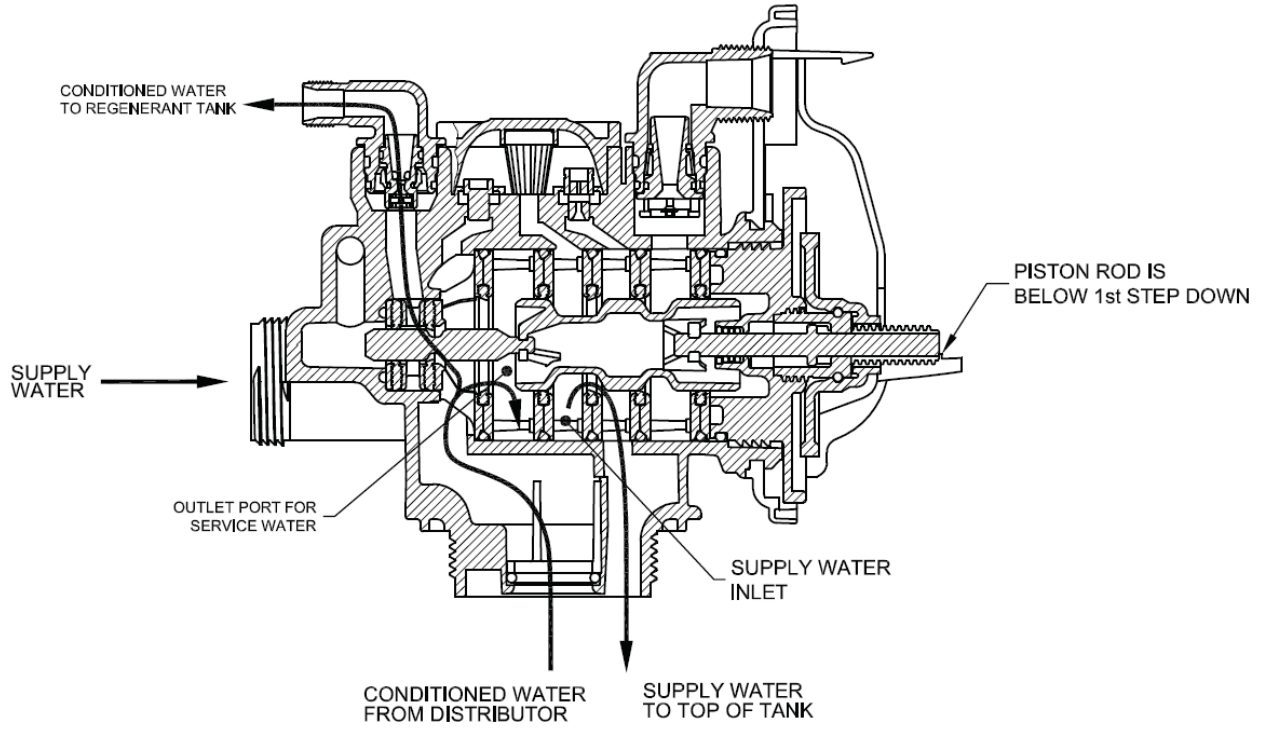
**BACKWASH CYCLE**



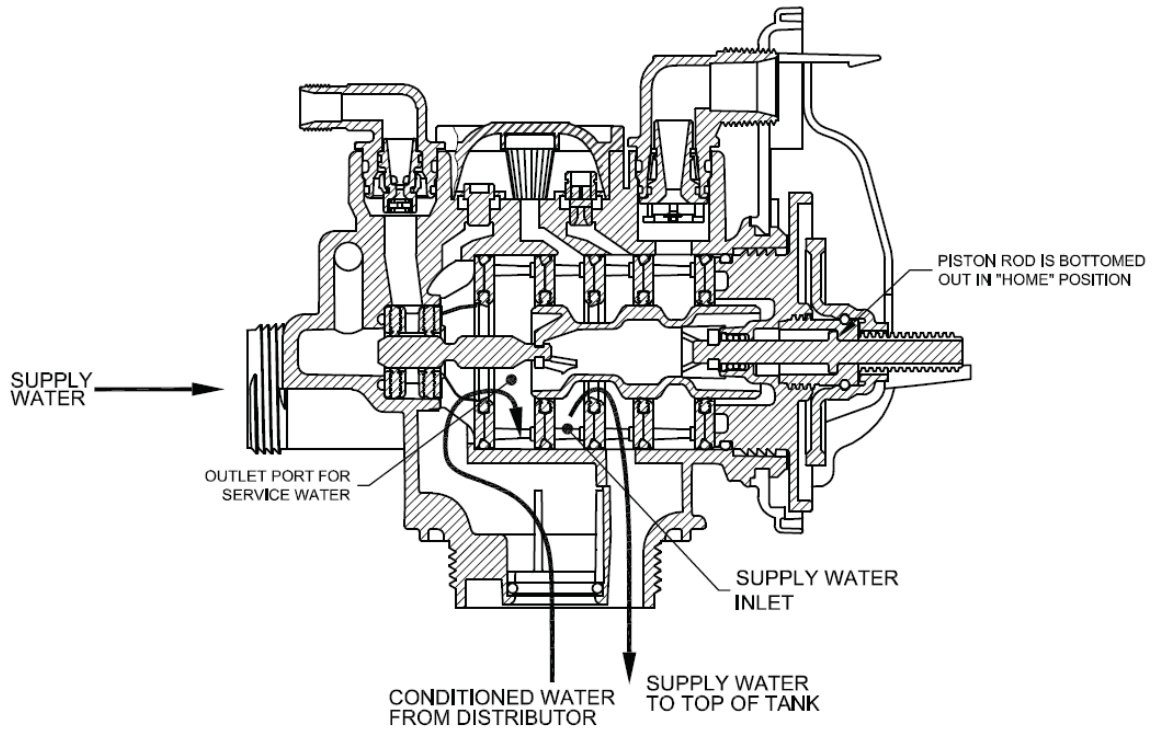
**BRINE CYCLE**



**RINSE CYCLE**



**FILL CYCLE**



**SERVICE**

### 4.3) Components of Control Valve

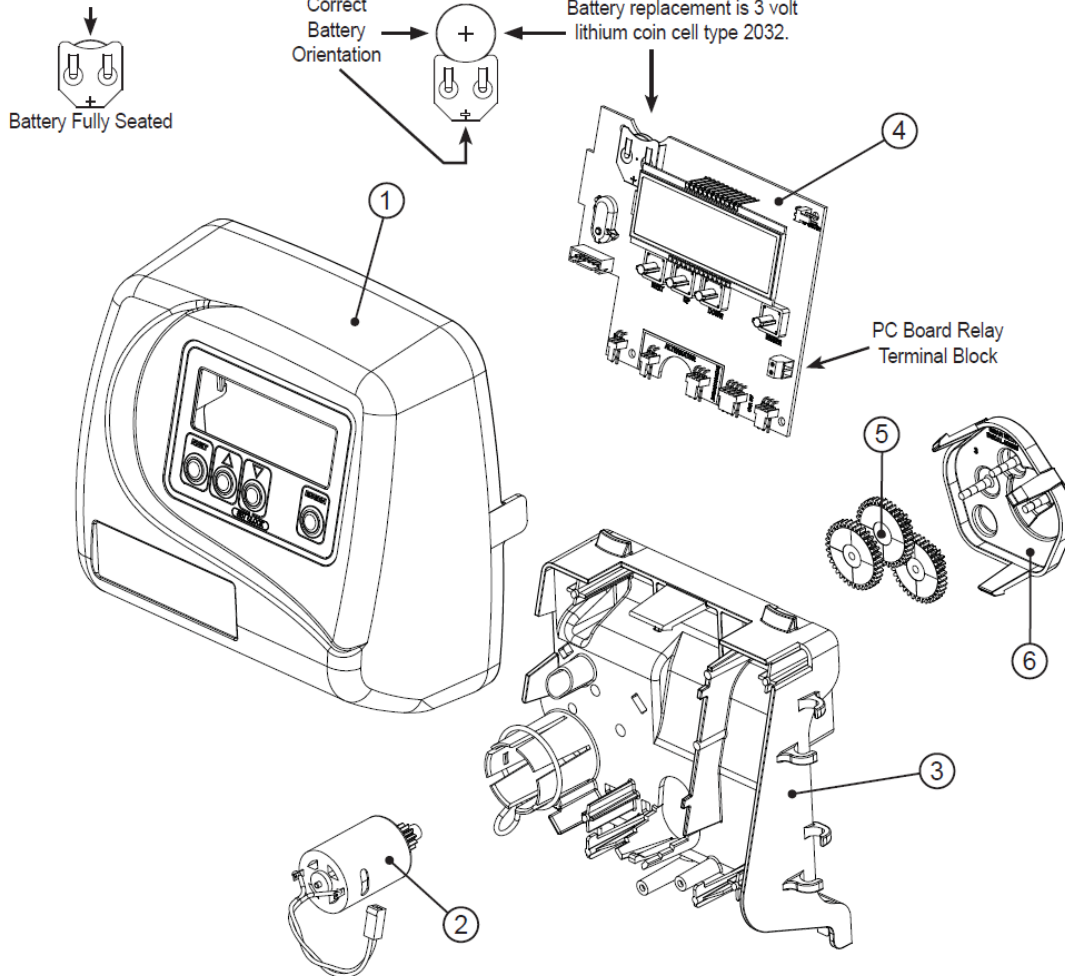
#### 4.3.1) Front Cover and PC Board

Drawing No.	Order No.	Description	Quantity
1	CLK V3175EE01	WS1EE FRONT COVER ASSEMBLY	1
2	CLK V310701	WS1 MOTOR	1
3	CLK V310601	WS1 DRIVE BRACKET & SPRING	1
4	CLK V3408EE04BOARD	WS1THRU/2 EE PCB 5 DIGIT	1
5	CLK V3110	WS1 DRIVE GEAR 12X36	3
6	CLK V3109	WS1 DRIVE GEAR COVER	1
Not Shown	CLK V3186	WS1 AC ADAPTER 120V-12V	1
	CLK V318601	WS1 AC ADAPTER CORD ONLY	
Not Shown	CLK V3178	WS1 Drive Back Plate	1

AC Adapter	U.S.
Supply Voltage	120 V AC
Supply	60 Hz
Output Voltage	12 V AC
Output Current	500 mA

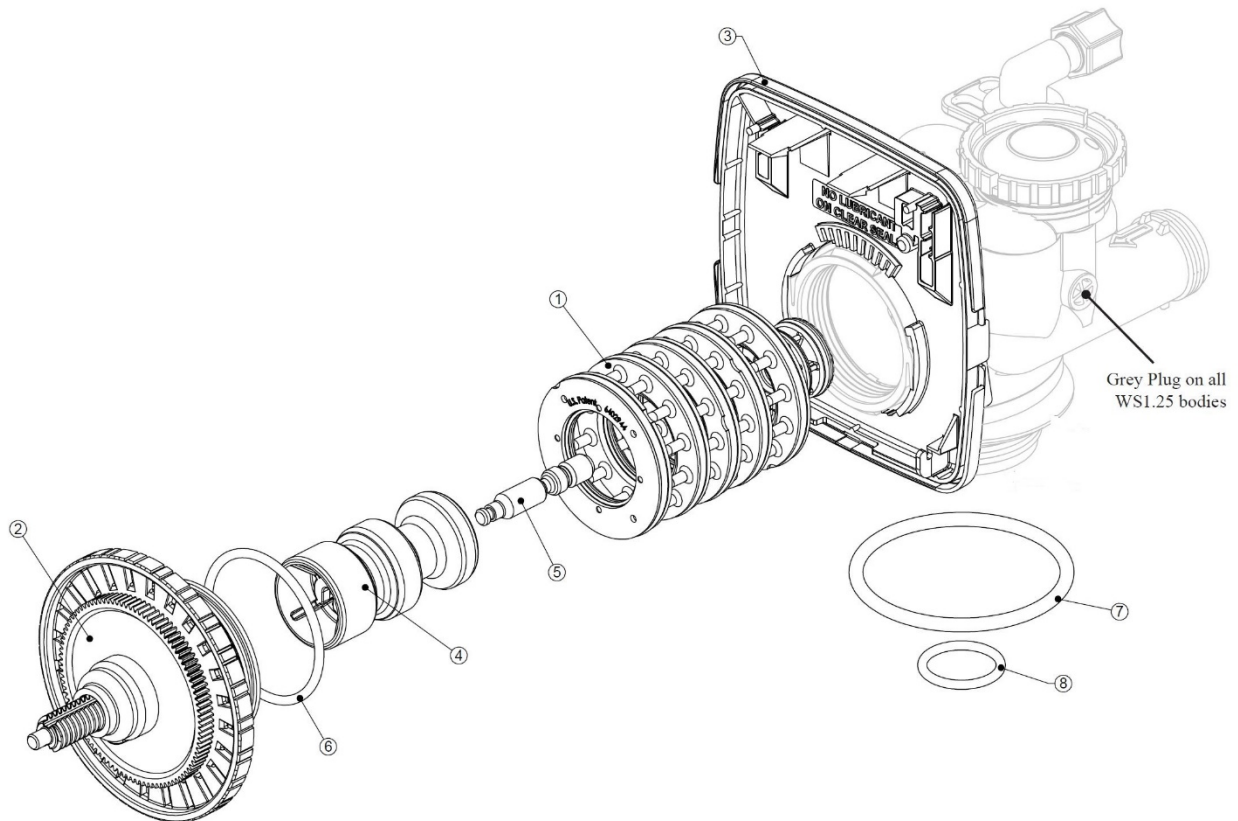
Wiring for Correct On/Off Operation	
PC Board Relay Terminal Block	Relay
RLY 1	Coil -
+ COM	Coil +

When replacing the battery, align positives and push down to fully seat.



## 4.3.2) Drive assembly, Piston and Spacer stack

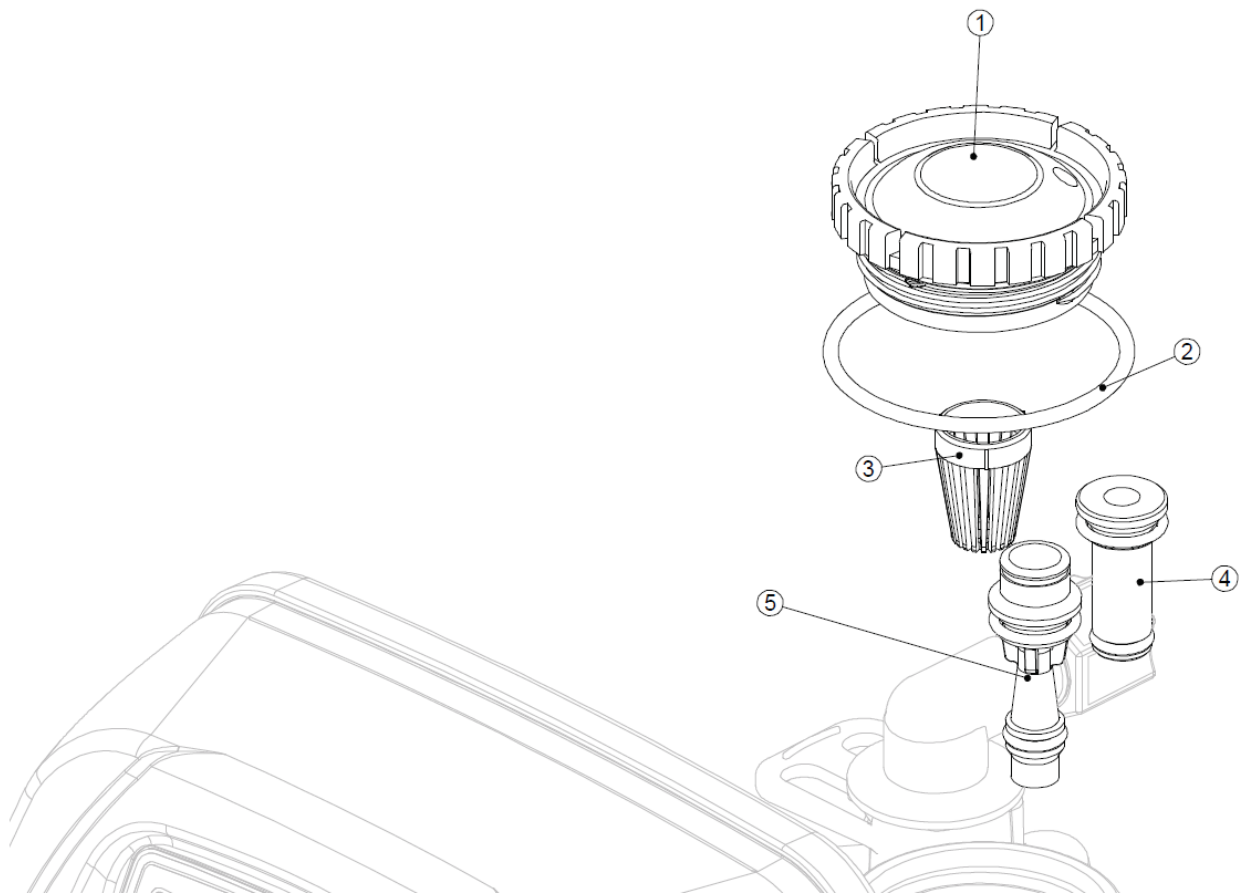
Drawing No.	Order No.	Description	Quantity
1	CLK V3430	WS1.5 Spacer Stack Assembly	1
2	CLK V3004	Drive Cap ASY	1
3	Back Plate	Refer to Programming and Cover Drawing Manual	1
4	CLK V3407	WS125/15 Piston Downflow ASY (amber)	1
5	CLK V3174	WS1 Regenerant Piston	1
6	CLK V3135	O-ring 228	1
7	CLK V3180	O-ring 337	1
8	CLK V3358	O-ring 219 (Distributor Tube Opening 1.32")	1
Not Shown	CLK V3020	WS1.25 Body ASY Downflow (Distributor Tube Opening 1.32")	1



### 4.3.3) Injector Assembly

Drawing No.	Order No.	Description	Quantity
1	CLK V3176	INJECTOR CAP	1
2	CLK V3152	O-RING 135	1
3	CLK V317701	INJECTOR SCREEN CAGE	1
4	CLK V30101Z	WS1 INJECTOR ASY Z PLUG	1
5	CLK V30101A	WS1 INJECTOR ASY A BLACK	1
	CLK V30101B	WS1 INJECTOR ASY B BROWN	
	CLK V30101C	WS1 INJECTOR ASY C VIOLET	
	CLK V30101D	WS1 INJECTOR ASY D RED	
	CLK V30101E	WS1 INJECTOR ASY E WHITE	
	CLK V30101F	WS1 INJECTOR ASY F BLUE	
	CLK V30101G	WS1 INJECTOR ASY G YELLOW	
	CLK V30101H	WS1 INJECTOR ASY H GREEN	
	CLK V30101I	WS1 INJECTOR ASY I ORANGE	
	CLK V30101J	WS1 INJECTOR ASY J LIGHT BLUE	
	CLK V30101K	WS1 INJECTOR ASY K LIGHT GREEN	
Not Shown	CLK V3170	O-RING 011	*
Not Shown	CLK V3171	O-RING 013	*

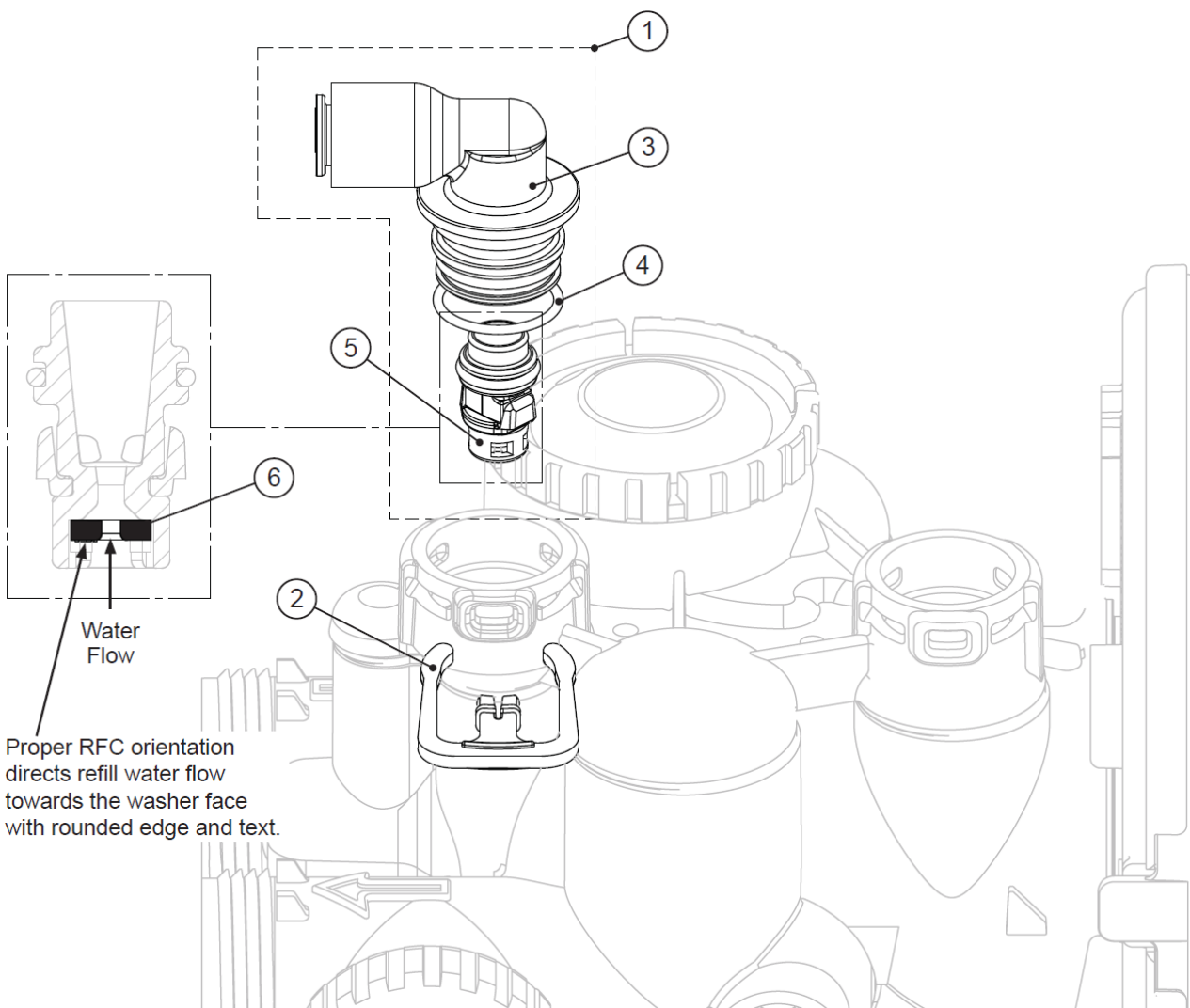
\* The injector plug and the injector each contain one 011 (lower) and 013 (upper) O-ring.





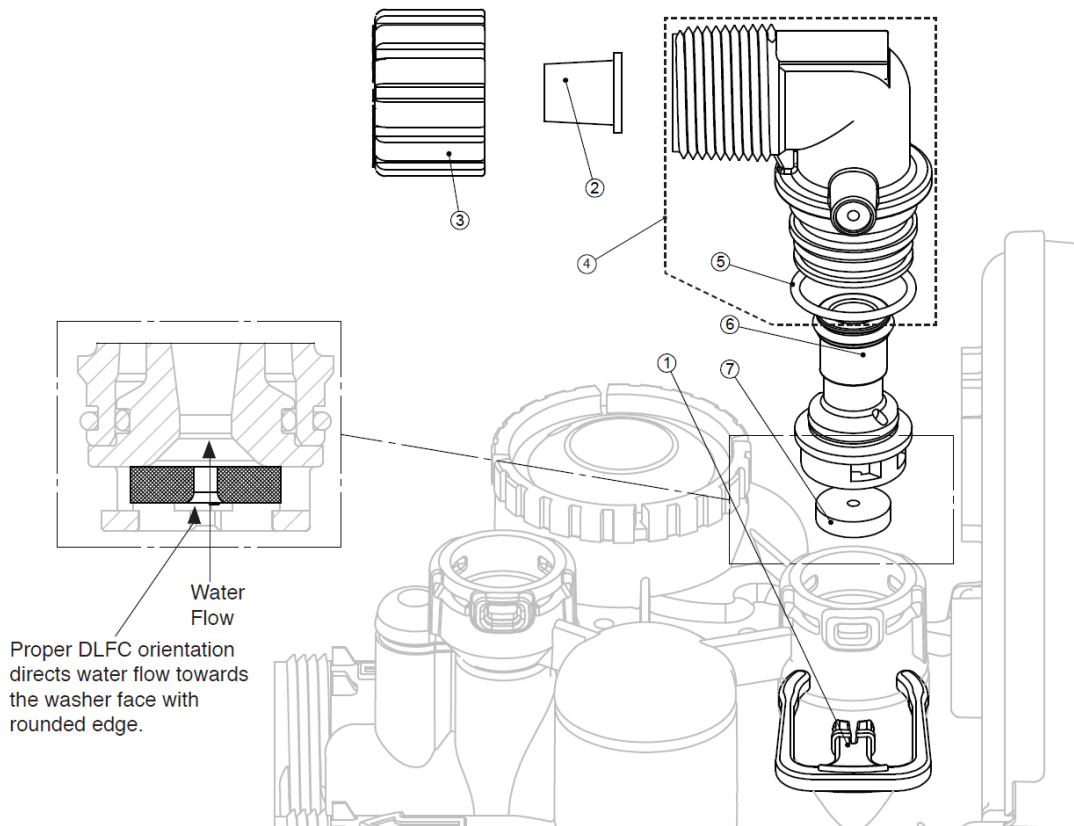
## 4.3.4) Brine Tank Line Flow Control

Drawing No.	Order No.	Description	Quantity
1	CLK V414401	Elbow 3/8" Liquifit Asy w/RFC	1
2	CLK H4615	Elbow Locking Clip	1
3	CLK H4628	Elbow 3/8" Liquifit	1
4	CLK V3163	O-ring 019	1
5	CLK V316501	WS1 RFC Retainer Asy (0.5 gpm)	1
6	CLK V3182	WS1 RFC	1
Not Shown	CLK V3552	WS1 Brine Elbow Asy w/RFC	Option
Not Shown	CLK H4650	Elbow 1/2" with nut and insert	Option



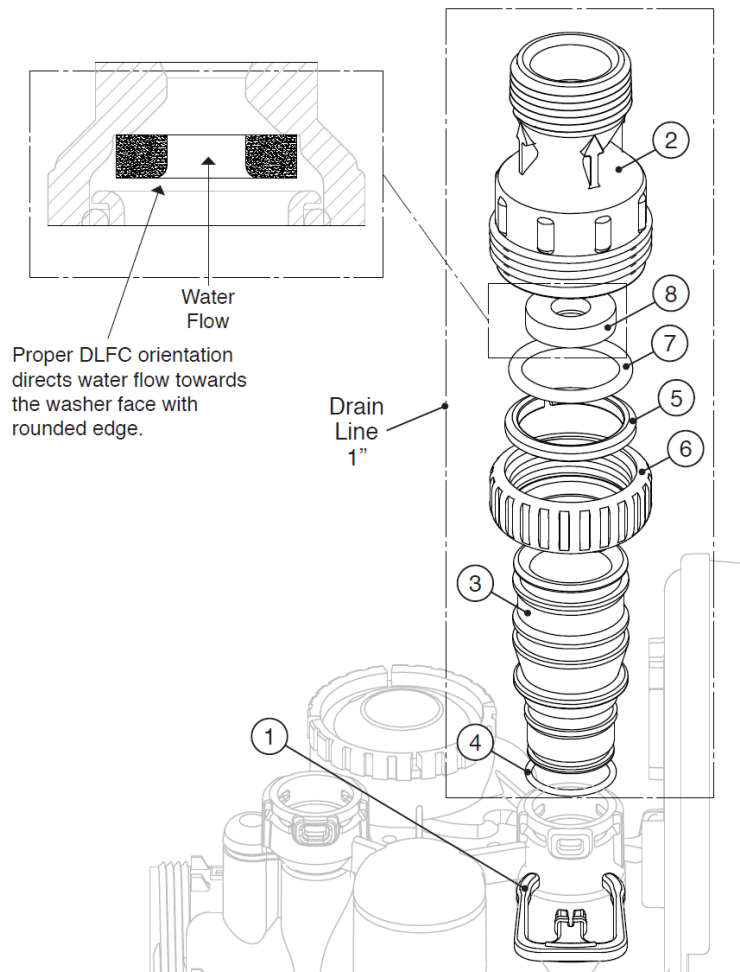
4.3.5) Drain Line Flow Control

Drain Line 3/4"			
Drawing No.	Order No.	Description	Quantity
1	CLK H4615	Elbow Locking Clip	1
2	CLK PKP10TS8BULK	Polytube insert 5/8	Option
3	CLK V3192	WS1 Nut 3/4 Drain Elbow	Option
4	CLK V315801	WS1 Drain Elbow 3/4 Male	1
	CLK V315802	WS1 Drain Elbow 3/4 Male No Silencer	
5	CLK V3163	O-ring 019	1
6	CLK V315901	WS1 DLFC Retainer ASY	1
7	CLK V3162007	WS1 DLFC 0.7 gpm for 3/4	One DLFC must be used if 3/4 fitting is used
	CLK V3162010	WS1 DLFC 1.0 gpm for 3/4	
	CLK V3162013	WS1 DLFC 1.3 gpm for 3/4	
	CLK V3162017	WS1 DLFC 1.7 gpm for 3/4	
	CLK V3162022	WS1 DLFC 2.2 gpm for 3/4	
	CLK V3162027	WS1 DLFC 2.7 gpm for 3/4	
	CLK V3162032	WS1 DLFC 3.2 gpm for 3/4	
	CLK V3162042	WS1 DLFC 4.2 gpm for 3/4	
	CLK V3162053	WS1 DLFC 5.3 gpm for 3/4	
	CLK V3162065	WS1 DLFC 6.5 gpm for 3/4	
	CLK V3162075	WS1 DLFC 7.5 gpm for 3/4	
	CLK V3162090	WS1 DLFC 9.0 gpm for 3/4	
CLK V3162100	WS1 DLFC 10.0 gpm for 3/4		



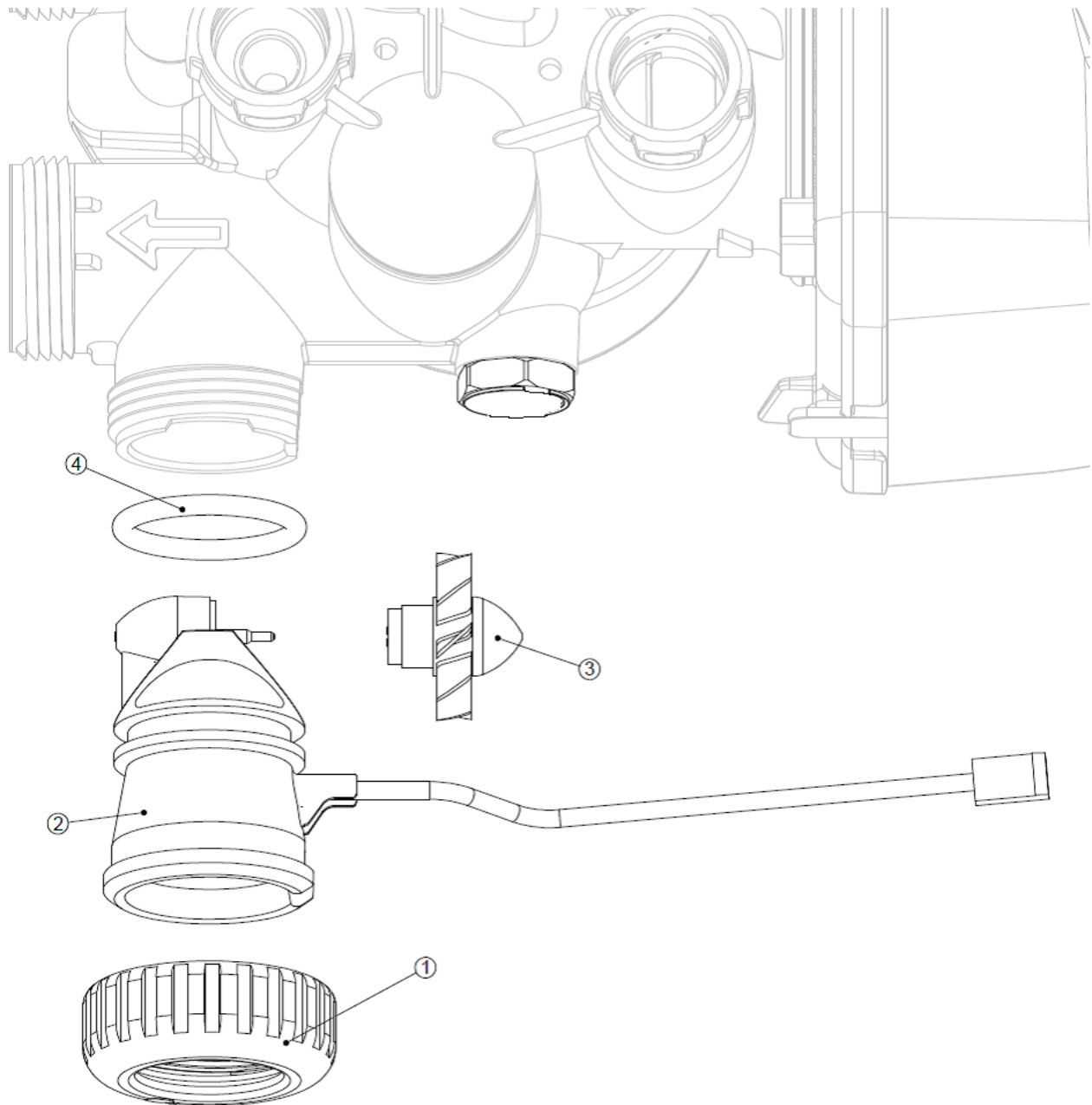
Drain Line 1"			
Drawing No.	Order No.	Description	Quantity
1	CLK H4615	Elbow Locking Clip	1
2*	CLK V3166	WS1 Drain FTG Body 1	1
	CLK V316601	FTG Flow Control Body Female 1	
3*	CLK V3167	WS1 Drain FTG Adapter 1	1
4*	CLK V3163	O-ring 019	1
5*	CLK V3150	WS1 Split Ring	1
6*	CLK V3151	WS1 Nut 1" QC	1
7*	CLK V3105	O-ring 215	1
8	CLK V3190090	WS1 DLFC 9.0 gpm for 1	One DLFC must be used if 1" fitting is used
	CLK V3190100	WS1 DLFC 10.0 gpm for 1	
	CLK V3190110	WS1 DLFC 11.0 gpm for 1	
	CLK V3190130	WS1 DLFC 13.0 gpm for 1	
	CLK V3190150	WS1 DLFC 15.0 gpm for 1	
	CLK V3190170	WS1 DLFC 17.0 gpm for 1	
	CLK V3190200	WS1 DLFC 20.0 gpm for 1	
CLK V3190250	WS1 DLFC 25.0 gpm for 1		

\* Can be ordered as a set. Order number V3008-02, description: WS1 Drain FTG 1 Straight.



## 4.3.6) Outlet Meter Assembly

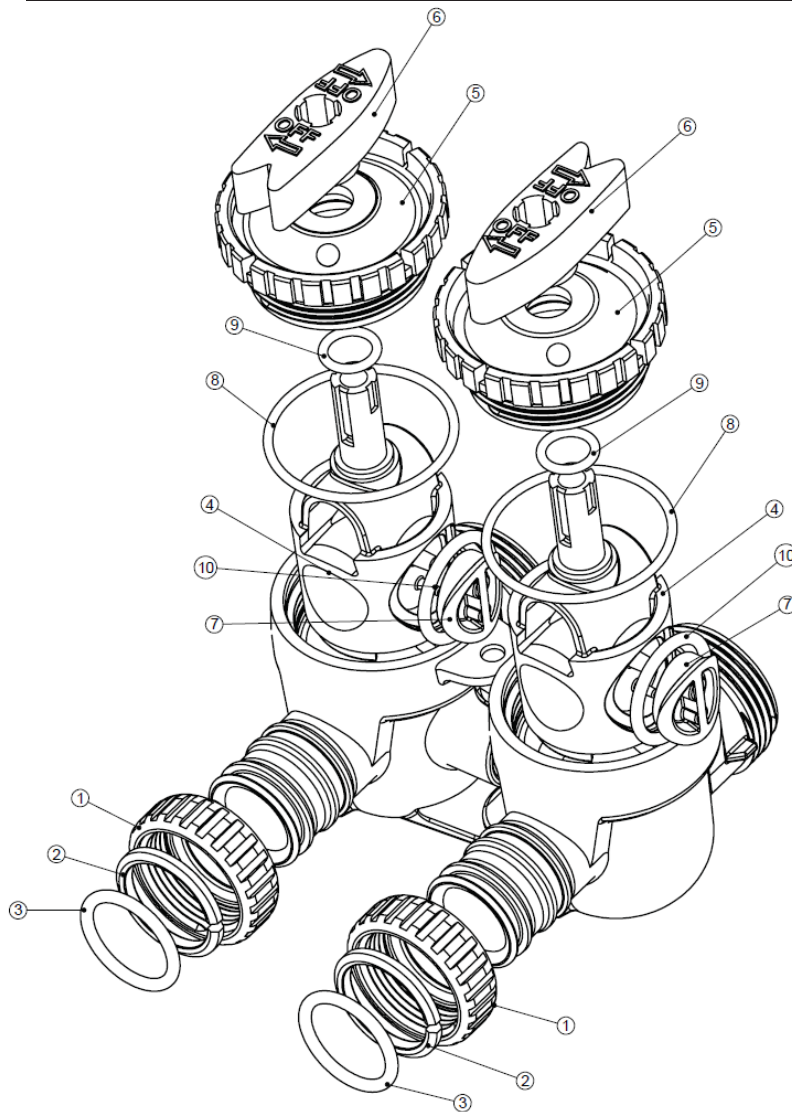
Drawing No.	Order No.	Description	Quantity
1	CLK V3151	WS1 Nut 1" QC	1
2	CLK V3003	WS1 Meter ASY	1
3	CLK V311801	WS1 Turbine ASY	1
4	CLK V3105	O-ring 215	1



**THIS WATER METER SHOULD NOT BE USED AS THE PRIMARY MONITORING DEVICE FOR CRITICAL OR HEALTH EFFECT APPLICATIONS.**

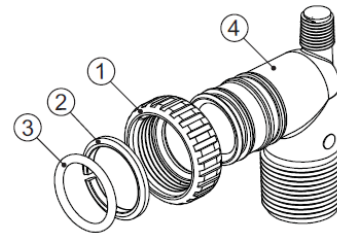
## 4.3.7) Bypass Valve Components

Drawing No.	Order No.	Description	Quantity
1	CLK V3151	WS1 Nut 1" Quick Connect	2
2	CLK V3150	WS1 Split Ring	2
3	CLK V3105	O-Ring 215	2
4	CLK V3145	WS1 Bypass 1" Rotor	2
5	CLK V3146	WS1 Bypass Cap	2
6	CLK V3147	WS1 Bypass Handle	2
7	CLK V3148	WS1 Bypass Rotor Seal Retainer	2
8	CLK V3152	O-ring 135	2
9	CLK V3155	O-ring 112	2
10	CLK V3156	O-ring 214	2

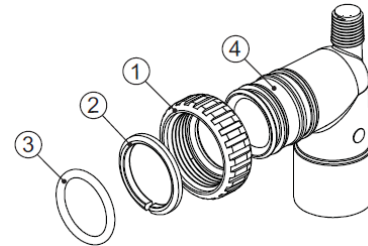


### 4.3.8) Installation Fitting Assemblies

CLK V3007 WS1 Fitting 1" PVC Male NPT Elbow Assembly			
Dwg No.	Order No.	Description	Quantity
1	CLK V3151	WS1 NUT 1" QUICK CONNECT	2
2	CLK V3150	WS1 SPLIT RING	2
3	CLK V3105	O-RING 215	2
4	CLK V3149	WS1 FITTING 1 PVC MALE NPT ELBOW	2

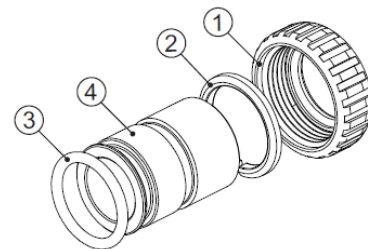


CLK V300701 WS1 Fitting 3/4" & 1" PVC Solvent 90° Assembly			
Dwg No.	Order No.	Description	Quantity
1	CLK V3151	WS1 NUT 1" QUICK CONNECT	2
2	CLK V3150	WS1 SPLIT RING	2
3	CLK V3105	O-RING 215	2
4	CLK V3189	WS1 FITTING 3/4&1 PVC SOLVENT 90	2



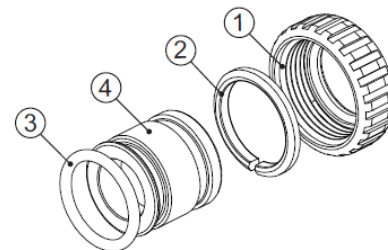
CLK V300702LF WS1 Fitting 1" Brass Sweat Assembly LF			
Dwg No.	Order No.	Description	Quantity
1	CLK V3151	WS1 NUT 1" QUICK CONNECT	2
2	CLK V3150	WS1 SPLIT RING	2
3	CLK V3105	O-RING 215	2
4	CLK V3188LF	WS1 FITTING 1 BRASS SWEAT ASSEMBLY	2

**Do not install in California.**

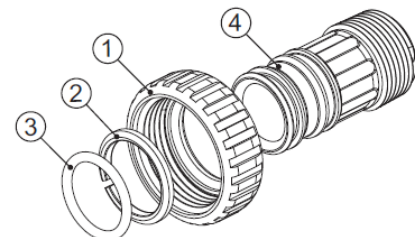


CLK V300703LF WS1 Fitting 3/4" Brass Sweat Assembly LF			
Dwg No.	Order No.	Description	Quantity
1	CLK V3151	WS1 NUT 1" QUICK CONNECT	2
2	CLK V3150	WS1 SPLIT RING	2
3	CLK V3105	O-RING 215	2
4	CLK V318801LF	WS1 FITTING 3/4 BRASS SWEAT LF	2

**Do not install in California.**

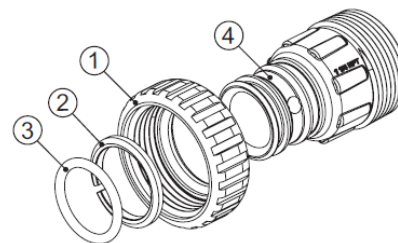


CLK V300704 WS1 Fitting 1" Plastic Male NPT Assembly			
Dwg No.	Order No.	Description	Quantity
1	CLK V3151	WS1 NUT 1" QUICK CONNECT	2
2	CLK V3150	WS1 SPLIT RING	2
3	CLK V3105	O-RING 215	2
4	CLK V3164	WS1 FITTING 1" PLASTIC MALE NPT	2

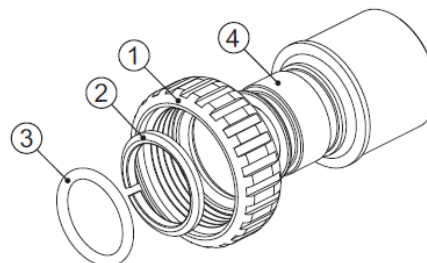


SOFTENER INSTALLATION AND USER GUIDE

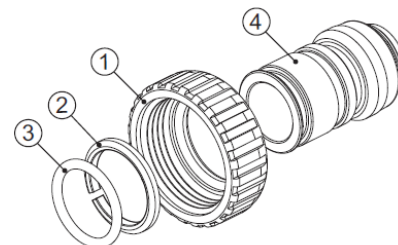
CLK V300705 WS1 Fitting 1-1/4" Plastic Male NPT Assembly			
Dwg No.	Order No.	Description	Quantity
1	CLK V3151	WS1 NUT 1" QUICK CONNECT	2
2	CLK V3150	WS1 SPLIT RING	2
3	CLK V3105	O-RING 215	2
4	CLK V3317	WS1 FITTING 1-1/4" PLASTIC MALE NPT	2



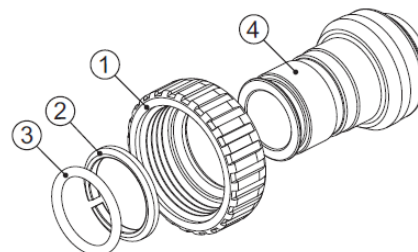
CLK V300709LF WS1 Fitting 1-1/4" & 1-1/2" Brass Sweat Assembly LF			
Dwg No.	Order No.	Description	Quantity
1	CLK V3151	WS1 NUT 1" QUICK CONNECT	2
2	CLK V3150	WS1 SPLIT RING	2
3	CLK V3105	O-RING 215	2
4	CLK V3375LF	WS1 FITTING 1-1/4" & 1-1/2" BRASS SWEAT LF	2



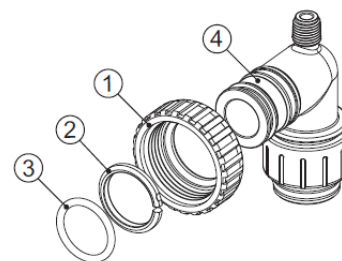
CLK V300712LF WS1 Fitting 3/4" Brass SharkBite Assembly LF			
Dwg No.	Order No.	Description	Quantity
1	CLK V3151	WS1 NUT 1" QUICK CONNECT	2
2	CLK V3150	WS1 SPLIT RING	2
3	CLK V3105	O-RING 215	2
4	CLK V3628LF	WS1 FTG 3/4 BRASS SHARKBITE LF	2



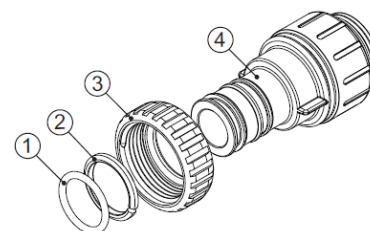
CLK V300713LF WS1 Fitting 1" Brass SharkBite Assembly LF			
Dwg No.	Order No.	Description	Quantity
1	CLK V3151	WS1 NUT 1" QUICK CONNECT	2
2	CLK V3150	WS1 SPLIT RING	2
3	CLK V3105	O-RING 215	2
4	CLK V3629LF	WS1 FTG 1" BRASS SHARKBITE LF	2



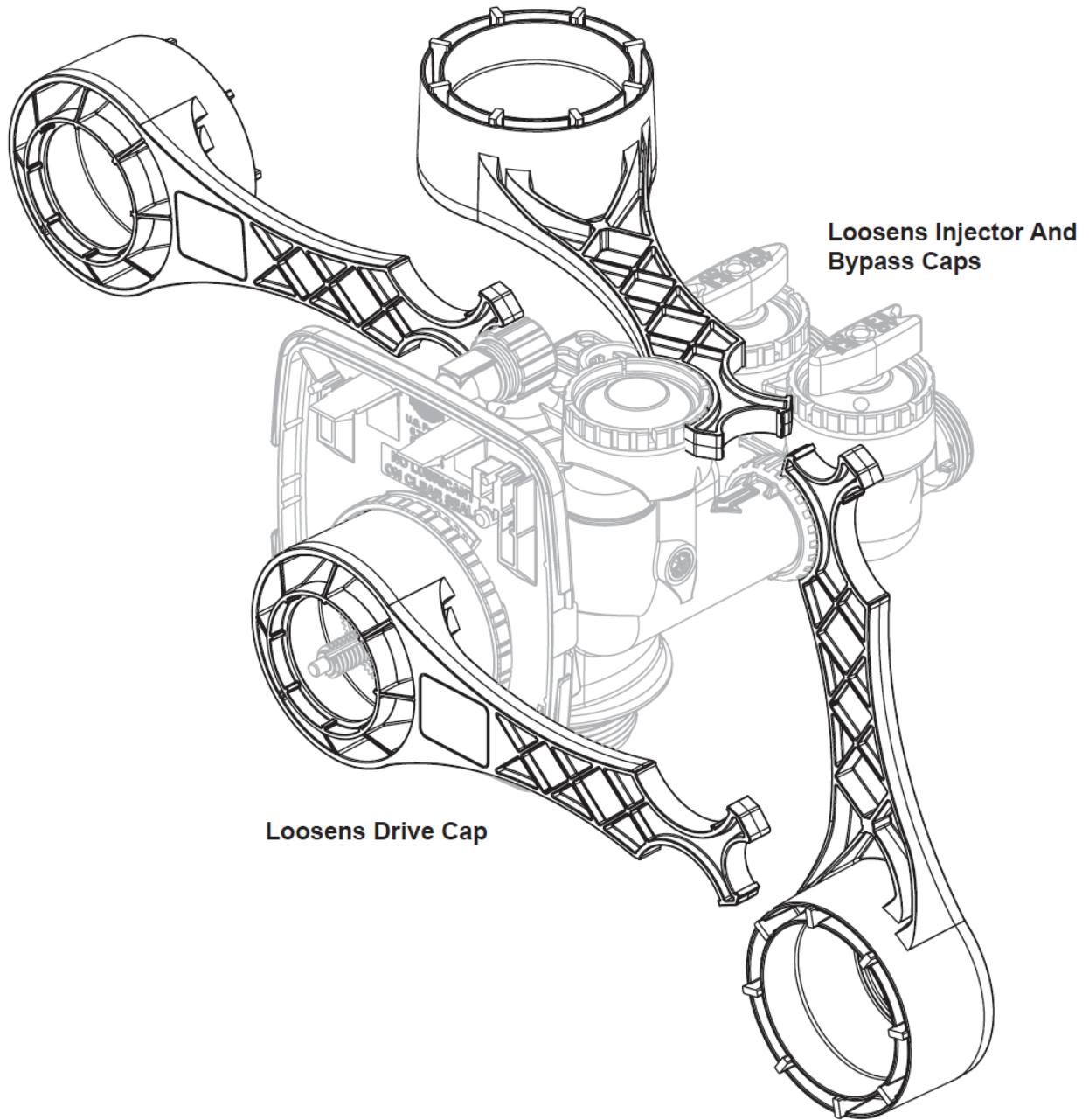
CLK V300715 WS1 FTG 3/4 JG QC 90 Assembly			
Dwg No.	Order No.	Description	Quantity
1	CLK V3151	WS1 NUT 1 QC	2
2	CLK V3150	WS1 SPLIT RING	2
3	CLK V3105	O-RING 215	2
4	CLK V3790	WS1 ELBOW 3/4 QC W/STEM	2



CLK V300717 WS1 FTG 1" JG QC Assembly			
Dwg No.	Order No.	Description	Quantity
1	CLK V3105	O-RING 215	2
2	CLK V3150	WS1 SPLIT RING	2
3	CLK V3151	WS1 NUT 1 QC	2
4	CLK V4045	WS1 FTG 1 INCH QC	2



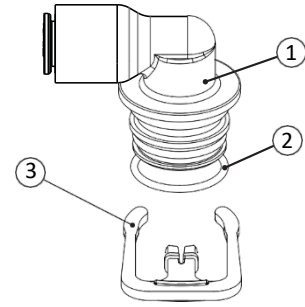
### 4.3.9) Service Spanner Wrench



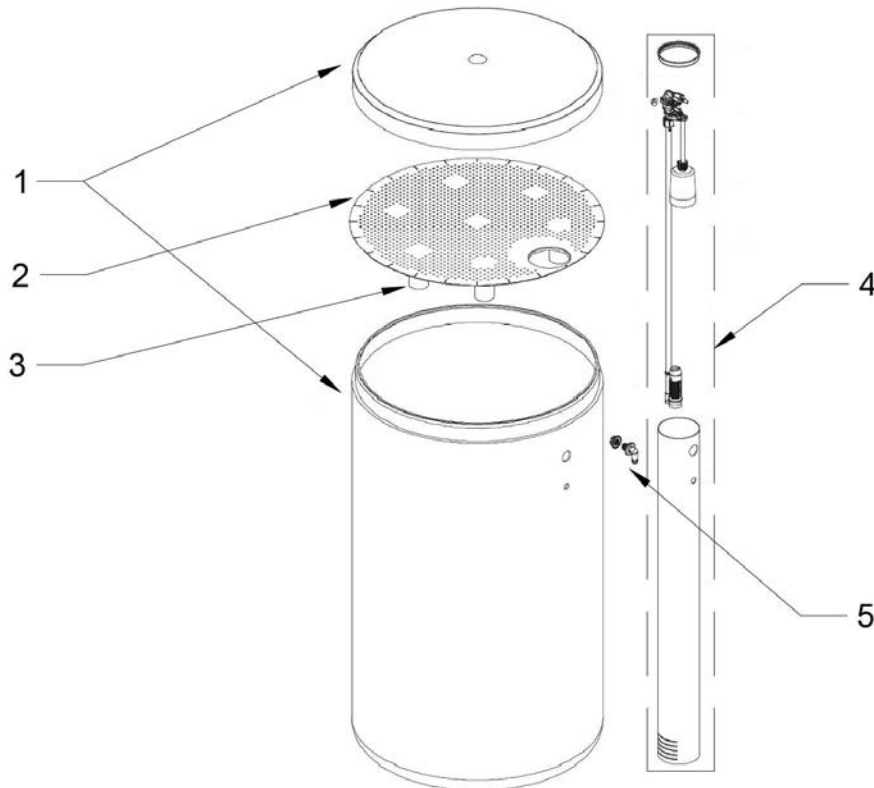


## 5) BRINE TANK ASSEMBLY

SAFETY FLOAT BRINE ELBOW			
Item No.	Part No.	Description	Qty.
1		Quick Connect Elbow	1
2	CLK CV3163	O-Ring 019	1
3	CLK CH4615	Elbow locking clip	1



BRINE TANK ASSEMBLY				
Item	Part No.	Description	Models	Qt
1	CLK BT 1833	Brine Tank with Cover	18"x33"	1
	CLK BT 1840B		18"x40"	1
	CLK BT 2441BR		24"x41"	1
	CLK BT 2450BKR		24"x50"	1
2	CLK H 107202	Salt Grid Platform with legs	18"x33" & 18"x40"	1
	CLK H 1080	Salt Grid Platform without legs	24"x41" & 24"x50"	1
3	CLK H 1089	24" Salt Grid Legs		7
4	CLK H 470028	Float Brine Valve Assembly	18"x33"	1
	CLK H 470036		18"x40"	1
	CLK H		24"x41"	1
	CLK H 4900BVK			1
5	CLK V3007	2 Piece Overflow Set	24"x50"	1
	1.0 X 0.75 RB PVC			1
	CLK H 1018		18"x33", 18"x40" & 24"x41"	1



## 6) QUICK REFERENCE GUIDE

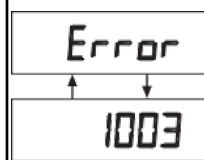
### Manual Regeneration



**Immediate Regeneration:** - Press and hold "REGEN" button for more than 3 seconds. Press "REGEN" button to advance the unit to next cycle in regeneration.

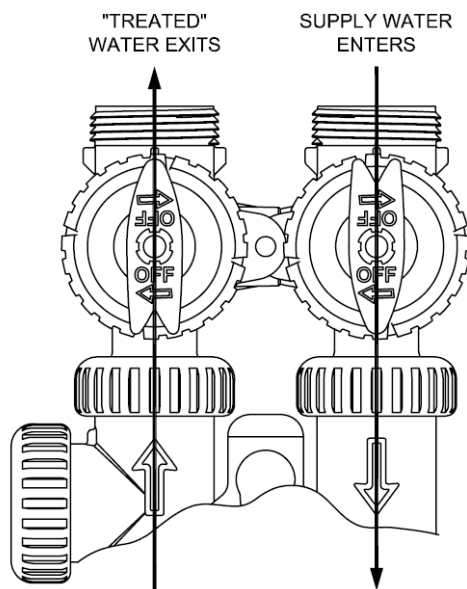
**Delayed Regeneration:** - Press and release "REGEN" button once the "REGEN TODAY" will be flashing on screen. Now the regeneration will occur tonight at preset time. The delayed regeneration can be cancelled by pressing "REGEN" button again.

Note: - If brine tank needs to be refilled please fill the salt at least two hours before regeneration.



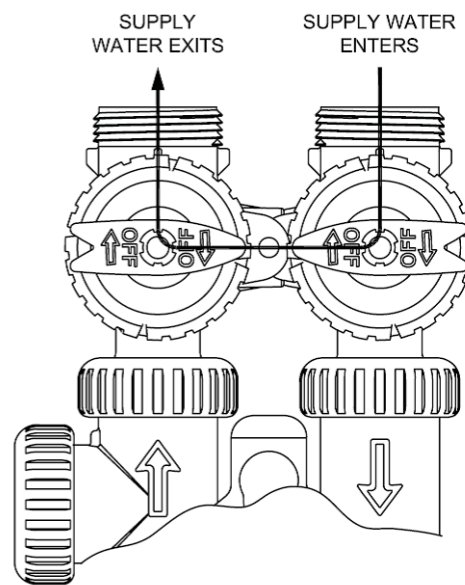
This error screen and error number will toggle. Contact Service Technician or Excalibur and report the error code.

### NORMAL OPERATION



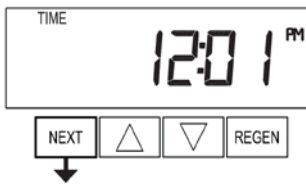
The inlet handle arrow must be in the direction of unit and outlet handle must direct away from the unit as given above.

### BYPASS OPERATION



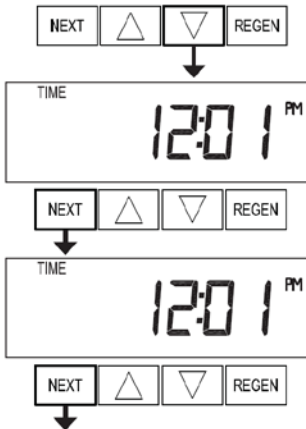
To shut off supply to the Unit the bypass valve handle must be in direction given above.

## General Operation



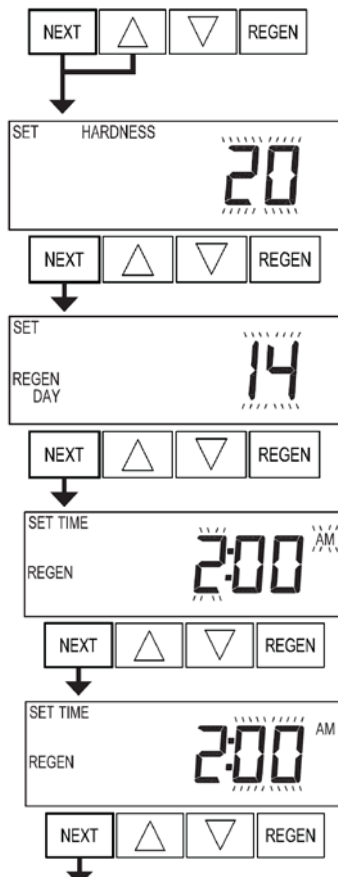
Pressing “NEXT” button will toggle the displays with current time of day, current flow rate, days remaining in regeneration, total volume used and volume remaining.

## To Set Time of Day



- Press and hold “DOWN” arrow button.
- Hours will flash press up and down buttons to adjust hours to current hour of day. Then press “NEXT” button.
- By pressing up and down buttons adjust minutes. Then press “NEXT” button.
- The time is set and the valve display will return to normal display.

## Installer Settings



- Press “NEXT” and “UP” arrow button simultaneously.
- Adjust hardness by pressing “UP” and “DOWN” arrow buttons then press “NEXT” button.
- Adjust day override or the number of days between regenerations by using “UP” and “DOWN” arrow buttons.
- Adjust hour of the time of regeneration by using “UP” and “DOWN” buttons. Then press “NEXT” button.
- Adjust minutes of time of regeneration by pressing “UP” and “DOWN” arrow buttons. Press “NEXT” to save and return to normal operation.

## 7) TROUBLESHOOTING PROCEDURE

Problem	Possible Cause	Solution
1. No Display on PC Board	a. No power at electric outlet	a. Repair outlet or use working outlet
	b. Control valve Power Adapter not plugged into outlet or power cord end not connected to PC board	b. Plug Power Adapter into outlet or connect power cord end to PC Board connection
	c. Improper power supply	c. Verify proper voltage is being delivered to PC Board
	d. Defective Power Adapter	d. Replace Power Adapter
	e. Defective PC Board	e. Replace PC Board
2. PC Board does not display correct time of day	a. Power Adapter plugged into electric outlet controlled by light switch	a. Use uninterrupted outlet
	b. Tripped breaker switch and/or tripped GFI	b. Reset breaker switch and/ or GFI switch
	c. Power outage	c. Reset time of day. If PC Board has battery back up present the battery may be depleted. See Front Cover and Drive Assembly drawing for instructions.
	d. Defective PC Board	d. Replace PC Board
3. Display does not indicate that water is flowing. Refer to user instructions for how the display indicates water is flowing	a. Bypass valve in bypass position	a. Turn bypass handles to place bypass in service position
	b. Meter is not connected to meter connection on PC Board	b. Connect meter to three pin connection labeled METER on PC Board
	c. Restricted/ stalled meter turbine	c. Remove meter and check for rotation or foreign material
	d. Meter wire not installed securely into three pin connector	d. Verify meter cable wires are installed securely into three pin connector labeled METER
	e. Defective meter	e. Replace meter
	f. Defective PC Board	f. Replace PC Board
4. Control valve regenerates at wrong time of day	a. Power outage	a. Reset time of day. If PC Board has battery back up present the battery may be depleted. See Front Cover and Drive Assembly drawing for instructions.
	b. Time of day not set correctly	b. Reset to correct time of day
	c. Time of regeneration set incorrectly	c. Reset regeneration time
	d. Control valve set at "on 0" (immediate regeneration)	d. Check programming setting and reset to NORMAL (for a delayed regen time)
	e. Control valve set at "NORMAL + on 0" (delayed and/ or immediate)	e. Check programming setting and reset to NORMAL (for a delayed regen time)
5. Time of day flashes on and off	a. Power outage	a. Reset time of day. If PC Board has battery back up present the battery may be depleted. See Front Cover and Drive Assembly drawing for instructions.
6. Control valve does not regenerate automatically when the correct button(s) is depressed and held. For TC valves the buttons are ▲ & ▼. For all other valves the button is REGEN	a. Broken drive gear or drive cap assembly	a. Replace drive gear or drive cap assembly
	b. Broken Piston Rod	b. Replace piston rod
	c. Defective PC Board	c. Defective PC Board
7. Control valve does not regenerate automatically but <b>does</b> when the correct button(s) is depressed and held. For TC valves the buttons are ▲ & ▼. For all other valves the button is REGEN	a. Bypass valve in bypass position	a. Turn bypass handles to place bypass in service position
	b. Meter is not connected to meter connection on PC Board	b. Connect meter to three pin connection labeled METER on PC Board
	c. Restricted/ stalled meter turbine	c. Remove meter and check for rotation or foreign material
	d. Incorrect programming	d. Check for programming error
	e. Meter wire not installed securely into three pin connector	e. Verify meter cable wires are installed securely into three pin connector labeled METER
	f. Defective meter	f. Replace meter
	g. Defective PC Board	g. Replace PC Board

## SOFTENER INSTALLATION AND USER GUIDE

<b>Problem</b>	<b>Possible Cause</b>	<b>Solution</b>
8. Hard or untreated water is being delivered	a. Bypass valve is open or faulty	a. Fully close bypass valve or replace
	b. Media is exhausted due to high water usage	b. Check program settings or diagnostics for abnormal water usage
	c. Meter not registering	c. Remove meter and check for rotation or foreign material
	d. Water quality fluctuation	d. Test water and adjust program values accordingly
	e. No regenerant or low level of regenerant in regenerant	e. Add proper regenerant to tank
	f. Control fails to draw in regenerant	f. Refer to Trouble Shooting Guide number 12
	g. Insufficient regenerant level in regenerant tank	g. Check refill setting in programming. Check refill flow control for restrictions or debris and clean or replace
	h. Damaged seal/stack assembly	h. Replace seal/stack assembly
	i. Control valve body type and piston type mix matched	i. Verify proper control valve body type and piston type match
	j. Fouled media bed	j. Replace media bed
9. Control valve uses too much regenerant	a. Improper refill setting	a. Check refill setting
	b. Improper program settings	b. Check program setting to make sure they are specific to the water quality and application needs
	c. Control valve regenerates frequently	c. Check for leaking fixtures that may be exhausting capacity or system is undersized
10. Residual regenerant being delivered to service	a. Low water pressure	a. Check incoming water pressure – water pressure must remain at minimum of 25 psi
	b. Incorrect injector size	b. Replace injector with correct size for the application
	c. Restricted drain line	c. Check drain line for restrictions or debris and clean
11. Excessive water in regenerant tank	a. Improper program settings	a. Check refill setting
	b. Plugged injector	b. Remove injector and clean or replace
	c. Drive cap assembly not tightened in	c. Re-tighten the drive cap assembly
	d. Damaged seal/ stack assembly	d. Replace seal/ stack
	e. Restricted or kinked drain line	e. Check drain line for restrictions or debris and or un-kink drain line
	f. Plugged backwash flow controller	f. Remove backwash flow controller and clean or replace
	g. Missing refill flow controller	g. Replace refill flow controller
12. Control valve fails to draw in regenerant	a. Injector is plugged	a. Remove injector and clean or replace
	b. Faulty regenerant piston	b. Replace regenerant piston
	c. Regenerant line connection leak	c. Inspect regenerant line for air leak
	d. Drain line restriction or debris cause excess back pressure	d. Inspect drain line and clean to correct restriction
	e. Drain line too long or too high	e. Shorten length and or height
	f. Low water pressure	f. Check incoming water pressure – water pressure must remain at minimum of 25 psi
13. Water running to drain	a. Power outage during regeneration	a. Upon power being restored control will finish the remaining regeneration time. Reset time of day.
	b. Damaged seal/ stack assembly	b. Replace seal/ stack assembly
	c. Piston assembly failure	c. Replace piston assembly
	d. Drive cap assembly not tightened in	d. Re-tighten the drive cap assembly

## SOFTENER INSTALLATION AND USER GUIDE

Problem	Possible Cause	Solution
14. E1, Err – 1001, Err – 101 = Control valve motor ran too short and was unable to sense motor movement	a. Motor not inserted full to engage pinion, motor wires broken or disconnected	a. Disconnect power, make sure motor is fully engaged, check for broken wires, make sure two pin connector on motor is connected to the two pin connection on the PC Board labeled MOTOR. Press NEXT and REGEN buttons for 3 seconds to resynchronize software with piston position or disconnect power supply from PC Board for 5 seconds and then reconnect.
	b. PC Board not properly snapped into drive bracket	b. Properly snap PC Board into drive bracket and then Press NEXT and REGEN buttons for 3 seconds to resynchronize software with piston position or disconnect power supply from PC Board for 5 seconds and then reconnect.
	c. Missing reduction gears	c. Replace missing gears
15. E2, Err – 1002, Err – 102 = Control valve motor ran too short and was unable to find the next cycle position and stalled	a. Foreign material is lodged in control valve	a. Open up control valve and pull out piston assembly and seal/ stack assembly for inspection. Press NEXT and REGEN buttons for 3 seconds to resynchronize software with piston position or disconnect power supply from PC Board for 5 seconds and then reconnect.
	b. Mechanical binding	b. Check piston and seal/ stack assembly, check reduction gears, check drive bracket and main drive gear interface. Press NEXT and REGEN buttons for 3 seconds to resynchronize software with piston position or disconnect power supply from PC Board for 5 seconds and then reconnect.
	c. Main drive gear too tight	c. Loosen main drive gear. Press NEXT and REGEN buttons for 3 seconds to resynchronize software with piston position or disconnect power supply from PC Board for 5 seconds and then reconnect.
	d. Improper voltage being delivered to PC Board	d. Verify that proper voltage is being supplied. Press NEXT and REGEN buttons for 3 seconds to resynchronize software with piston position or disconnect power supply from PC Board for 5 seconds and then reconnect.
16. E3, Err – 1003, Err – 103 = Control valve motor ran too long and was unable to find the next cycle position	a. Motor failure during a regeneration	a. Check motor connections then Press NEXT and REGEN buttons for 3 seconds to resynchronize software with piston position or disconnect power supply from PC Board for 5 seconds and then reconnect.
	b. Foreign matter built up on piston and stack assemblies creating friction and drag enough to time out motor	b. Replace piston and stack assemblies. Press NEXT and REGEN buttons for 3 seconds to resynchronize software with piston position or disconnect power supply from PC Board for 5 seconds and then reconnect.
	c. Drive bracket not snapped in properly and out enough that reduction gears and drive gear do not interface	c. Snap drive bracket in properly then Press NEXT and REGEN buttons for 3 seconds to resynchronize software with piston position or disconnect power supply from PC Board for 5 seconds and then reconnect.

## SOFTENER INSTALLATION AND USER GUIDE

Problem	Possible Cause	Solution
17. Err – 1004, Err – 104 = Control valve motor ran too long and timed out trying to reach home position	a. Drive bracket not snapped in properly and out enough that reduction gears and drive gear do not interface	a. Snap drive bracket in properly then Press NEXT and REGEN buttons for 3 seconds to resynchronize software with piston position or disconnect power supply from PC Board for 5 seconds and then reconnect.
18. Err -1006, Err – 106, Err - 116 = MAV/SEPS/ NHBP/ AUX MAV valve motor ran too long and unable to find the proper park position  Motorized Alternating Valve = MAV  Separate Source = SEPS  No Hard Water Bypass = NHBP Auxiliary  MAV = AUX MAV	a. Control valve programmed for ALTA or b, nHbP, SEPS, or AUX MAV without having a MAV or NHBP valve attached to operate that function	a. Press NEXT and REGEN buttons for 3 seconds to resynchronize software with piston position or disconnect power supply from PC Board for 5 seconds and then reconnect. Then re-program valve to proper setting.
	b. MAV/ NHBP motor wire not connected to PC Board	b. Connect MAV/ NHBP motor to PC Board two pin connection labeled DRIVE. Press NEXT and REGEN buttons for 3 seconds to resynchronize software with piston position or disconnect power supply from PC Board for 5 seconds and then reconnect.
	c. MAV/ NHBP motor not fully engaged with reduction gears	c. Properly insert motor into casing, do not force into casing Press NEXT and REGEN buttons for 3 seconds to resynchronize software with piston position or disconnect power supply from PC Board for 5 seconds and then reconnect.
	d. Foreign matter built up on piston and stack assemblies creating friction and drag enough to time out motor	d. Replace piston and stack assemblies. Press NEXT and REGEN buttons for 3 seconds to resynchronize software with piston position or disconnect power supply from PC Board for 5 seconds and then reconnect.
19. Err – 1007, Err – 107, Err - 117 = MAV/SEPS/ NHBP/ AUX MAV valve motor ran too short (stalled) while looking for proper park position  Motorized Alternating Valve = MAV  Separate Source = SEPS  No Hard Water Bypass = NHBP Auxiliary  MAV = AUX MAV	a. Foreign material is lodged in MAV/ NHBP valve	a. Open up MAV/ NHBP valve and check piston and seal/ stack assembly for foreign material. Press NEXT and REGEN buttons for 3 seconds to resynchronize software with piston position or disconnect power supply from PC Board for 5 seconds and then reconnect.
	b. Mechanical binding	b. Check piston and seal/ stack assembly, check reduction gears, drive gear interface, and check MAV/ NHBP black drive pinion on motor for being jammed into motor body. Press NEXT and REGEN buttons for 3 seconds to resynchronize software with piston position or disconnect power supply from PC Board for 5 seconds and then reconnect.

## 8) 5 YEAR WARRANTY

### Commercial Simplex Water Softener

Thank you for your purchase of our COMMERCIAL SIMPLEX WATER SOFTENER. For proof of purchase, please retain your Invoice/Sales Order Copy.

#### **Warranty ~ Offered**

Excalibur Water Systems warrants its products to be free from defect in materials and workmanship to the original owner from the date on the proof of purchase as described below.

#### **Warranty ~ Working Procedures**

If during the suitable warranty period, a part is defective, then Excalibur Water Systems will repair or replace that part at no charge to the original owner, with the exception of charges for nominal shipping, service and/or installation.

#### **Warranty ~ Coverage Outlined**

Excalibur Water Systems guarantees, to the original owner, a period of 5 years, the CONTROL BODY to be free of defects in materials and workmanship and to perform its proper functions. To the original owner, a period of 5 years, the ELECTRONIC CONTROL VALVES as well as all parts to be free of defects in materials and workmanship and to perform their normal functions. To the original owner, the SALT TANK and the MINERAL TANKS will not rust, corrode, leak, burst or in any other form fail to perform their proper functions for a period of 10 YEARS.

#### **Warranty ~ Service**

In the event you require service, Excalibur Water Systems Dealer will provide all necessary service and installation for your Duplex Commercial Water Softener. To obtain warranty service within 30 days of discovery of the defect, notification must be given to Excalibur Water Systems.

#### **General Provisions**

The above warranties are effective provided the WATER SOFTENER is operated at water pressures not exceeding 125psi and at water temperatures not exceeding 120°F; also provided that the water softener is not subject to abuse, misuse, alteration, neglect, freezing, accident or negligence; and provided further that the water softener is not damaged as the result of any unusual force of nature such as, but not limited to flood, hurricane, tornado or earthquake. Excalibur Water Systems is excused if failure to perform its warranty obligations is the result of strikes, government regulation, materials shortages or other circumstances beyond its control.

THERE ARE NO WARRANTIES ON THE WATER SOFTENER BEYOND THOSE SPECIFICALLY DESCRIBED ABOVE. ALL IMPLIED WARRANTIES, INCLUDING ANY IMPLIED WARRANTY OF MERCHANTABILITY OR OF FITNESS FOR A PARTICULAR PURPOSE, ARE DISCLAIMED TO THE EXTENT THEY MIGHT EXTEND BEYOND THE ABOVE PERIODS. THE SOLE OBLIGATION OF EXCALIBUR WATER SYSTEMS UNDER THESE WARRANTIES IS TO REPLACE OR REPAIR THE COMPONENT OR PART PROVES TO BE DEFECTIVE WITHIN THE SPECIFIED TIME PERIOD AND EXCALIBUR WATER SYSTEMS IS NOT LIABLE FOR CONSEQUENTIAL OR INCIDENTAL DAMAGES. NO DEALER, AGENT, REPRESENTATIVE OR OTHER PERSON IS AUTHORIZED TO EXTEND OR EXPAND THE WARRANTIES EXPRESSED ABOVE.

Certain provinces or states do not allow limitations on how long an implied warranty lasts or exclusions or limitations of incidental or consequential damage, therefore limitations and exclusions in this warranty may not apply to you. This warranty extends you specific legal rights as you may have other rights which vary from province to province or state to state.

Excalibur Water Systems is a manufacturer of water treatment products.

142 Commerce Park Drive

Barrie, Ontario Canada

