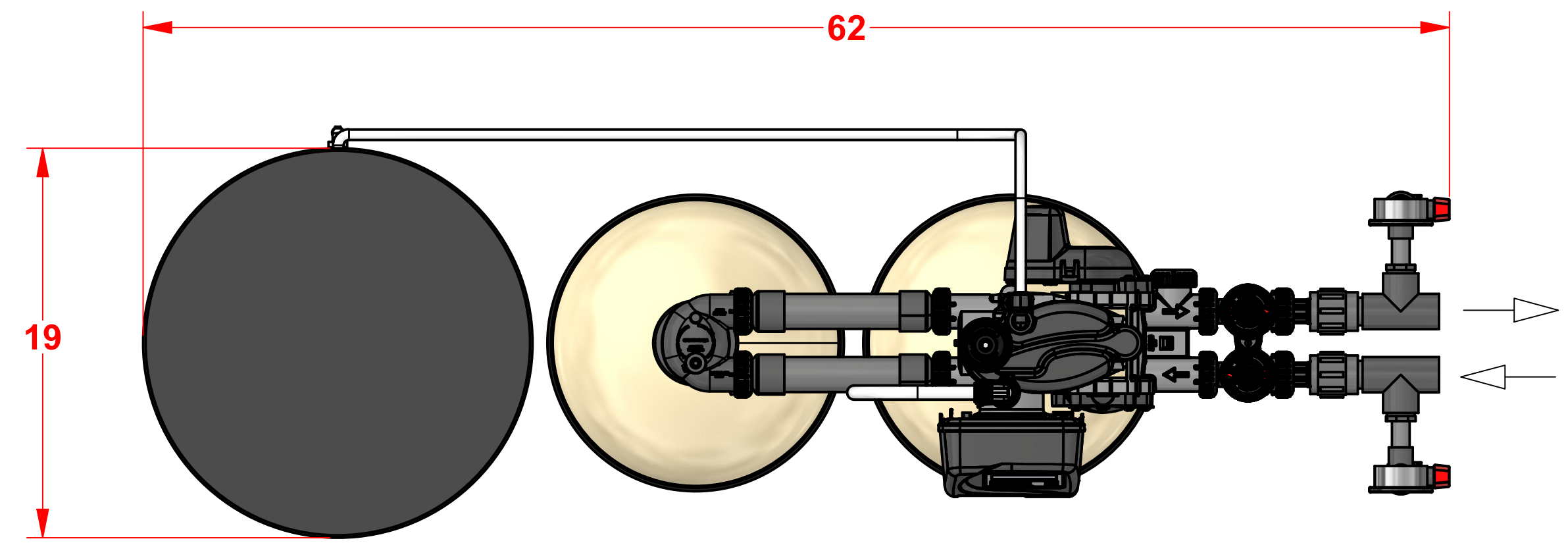
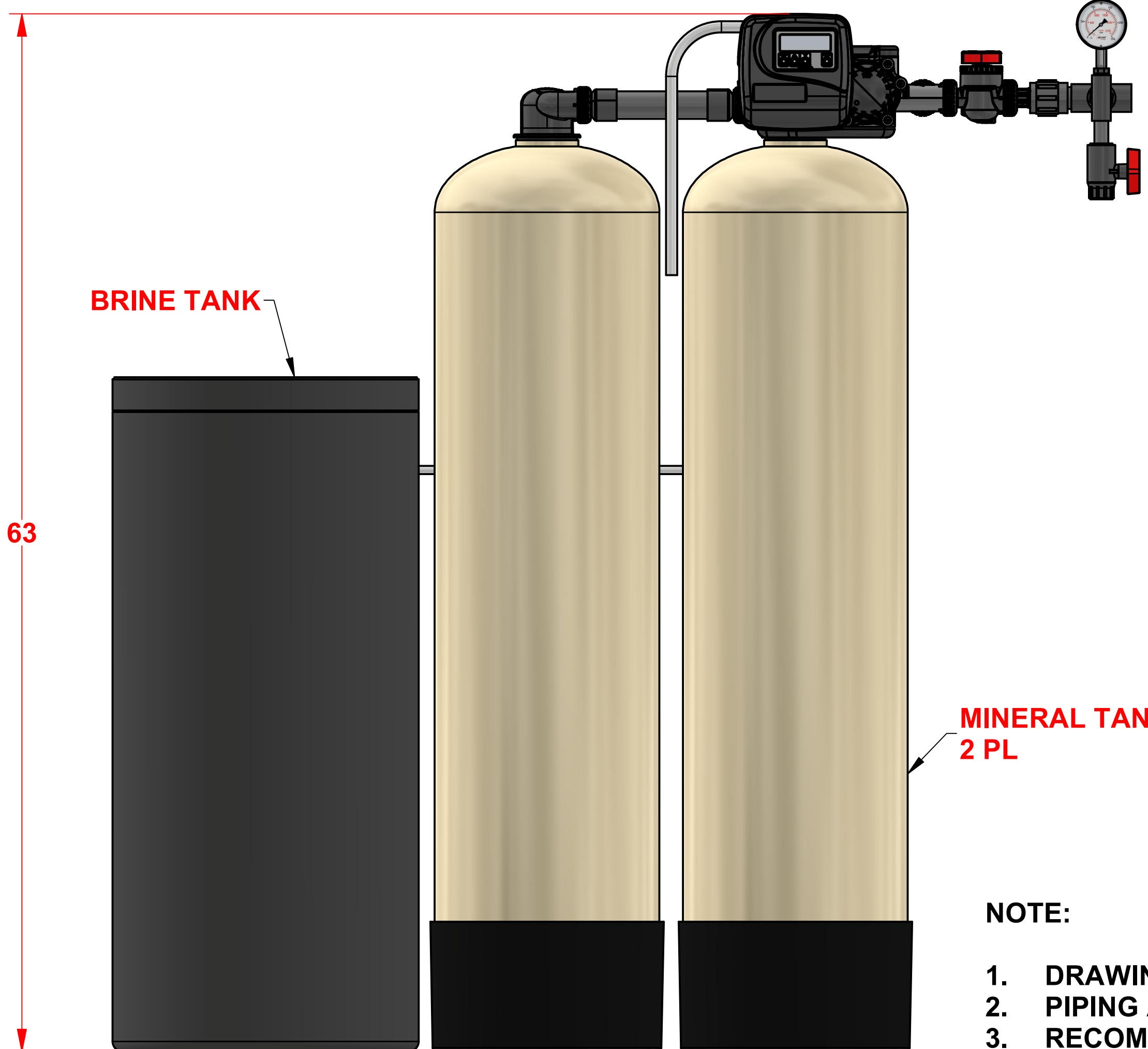


CONTROL VALVE (in)	PIPING CONNECTIONS (in)			MINERAL TANK (in)	BRINE TANK (in)	RESIN PER VESSEL (ft³)	CAPACITY (GRAINS)				FLOW RATE (gpm)					WEIGHT (lbs)			
	INLET	OUTLET	DRAIN				15 lbs/ft³	10 lbs/ft³	6 lbs/ft³	MAX SYSTEM	MIN	CRITICAL	SERVICE	15psi ΔP	25psi ΔP	BACKWASH	SHIPPING	OPERATING	
1.0	1.0	1.0	0.75	0.375	13 X 54	18 X 40	2.5	75,000	67,500	50,000	150,000	1.8	7.5	11.0	19.0	25.0	4.2	400	1,300

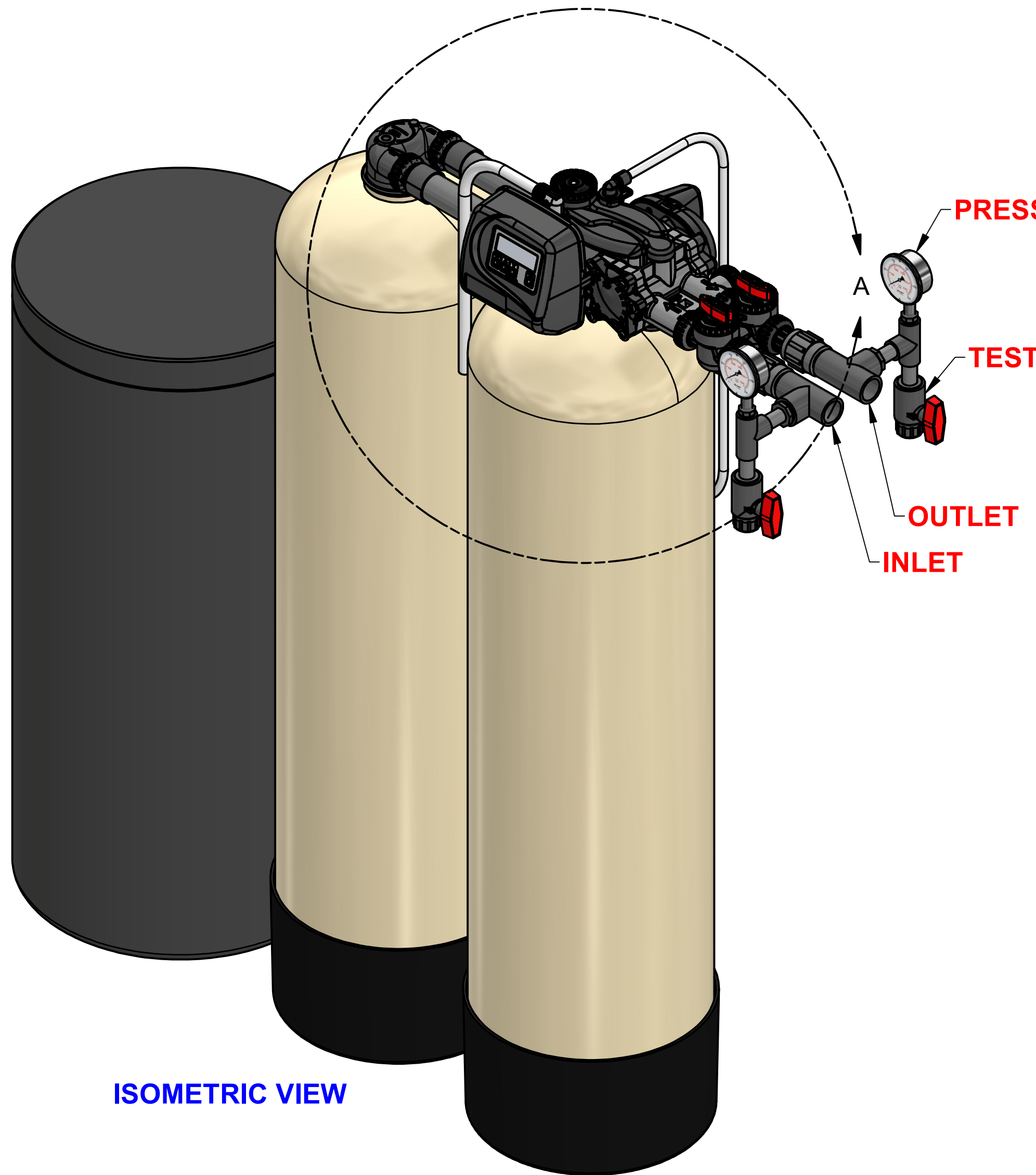
REVISION HISTORY				
REV	DESCRIPTION	DATE	DESIGNER	APPROVED
A	INITIAL RELEASE	2022-02-02	CSIDDARUSHI	M. GARNER



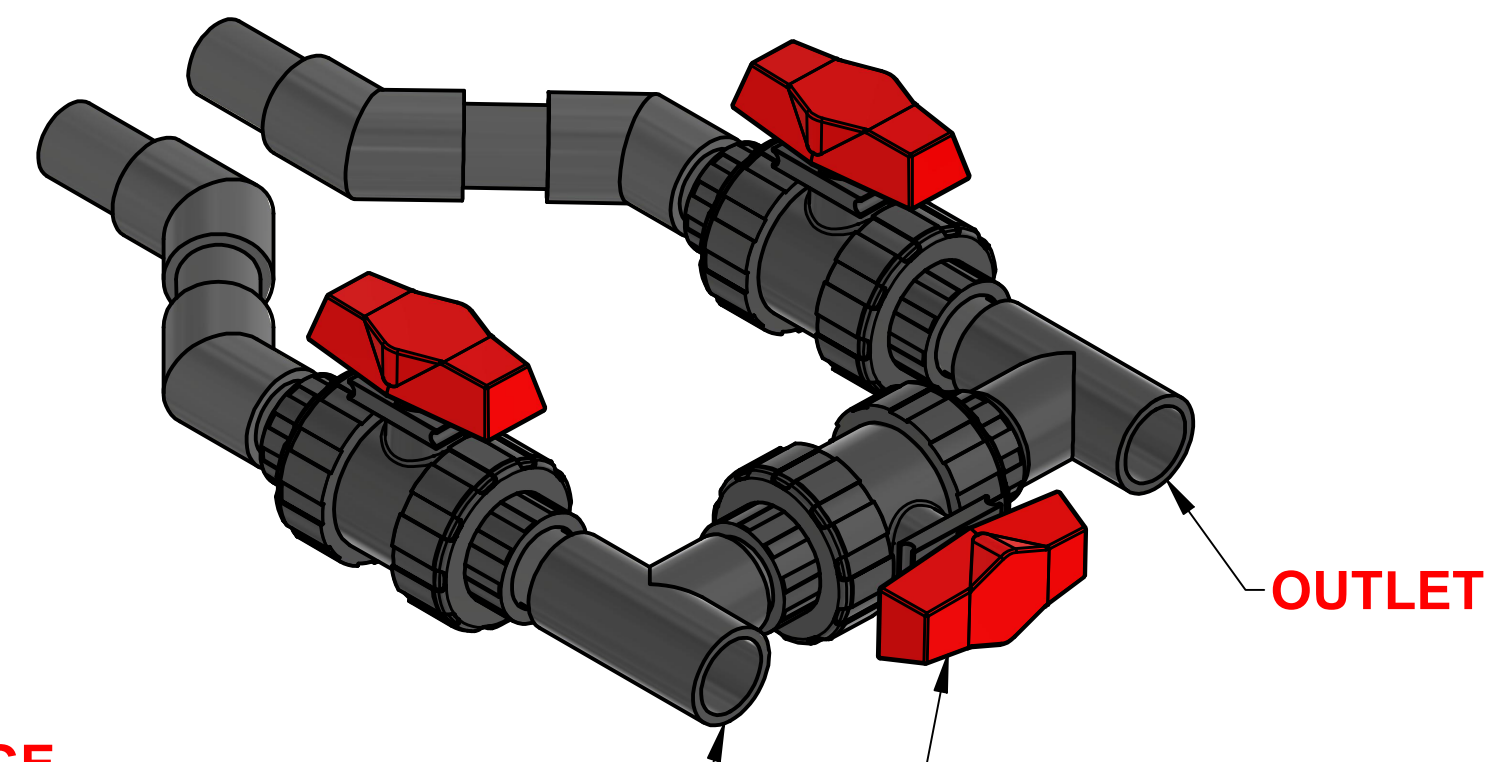
TOP VIEW



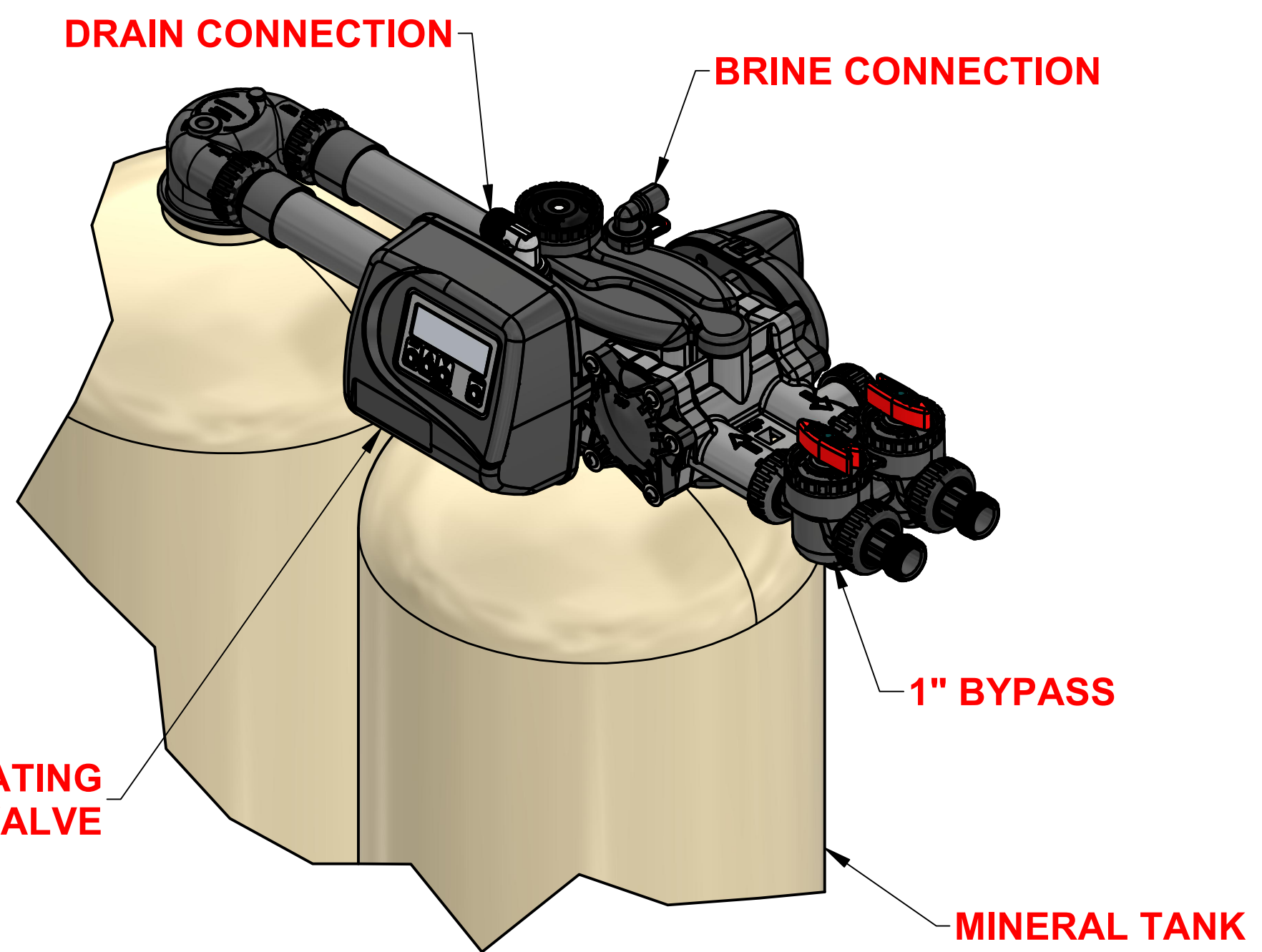
FRONT VIEW



ISOMETRIC VIEW



INLET
OUTLET
1" BALL VALVE 3 PL
OPTIONAL 3 WAY BYPASS SCALE 1:3



DETAIL A SCALE 0.25 : 1

NOTE:

- DRAWING IS FOR REFERENCE ONLY.
- PIPING AND INSTRUMENTATION SHOWN ARE NOT INCLUDED IN THE SCOPE.
- RECOMMEND INSTALLING HORIZONTAL FLEX CONNECTORS ON BOTH INLET AND OUTLET FOR FRP TANK EXPANSION.
- RECOMMEND INSTALLING VACUUM BREAKER(S) ON ALL INLET FRP TANK CONNECTIONS.
- PROVIDE AN AIR GAP ON DRAIN LINE OF AT LEAST 4 TIMES THE DIAMETER OF THE PIPE OR FOLLOW LOCAL PLUMBING CODES.

This drawing contains information and data which is proprietary to Excalibur Water Systems Inc. This drawing, or any portion thereof, may not be reproduced, copied, or duplicated in any manner, nor used for manufacturing, without the written permission of Excalibur Water Systems Inc.

	UNLESS OTHERWISE SPECIFIED dimensions are in inches.	DRAWN CSIDDARUSHI	2022-02-02	TITLE	WATER SOFTENER 1.0" TWIN ALTERNATING 75,000 CAPACITY	
	Tolerance on: Decimals .XXX ± .5 .XX ± 1 .X ± 2	CHECKED M. GARNER	2022-02-02	DRW NO:		EWS SD175T
		PROJECT MGR M. GARNER	2022-02-02	SCALE		1/6
		ELE ENGINEER M. GARNER	2022-02-02	APPROVED M. GARNER		2022-02-02