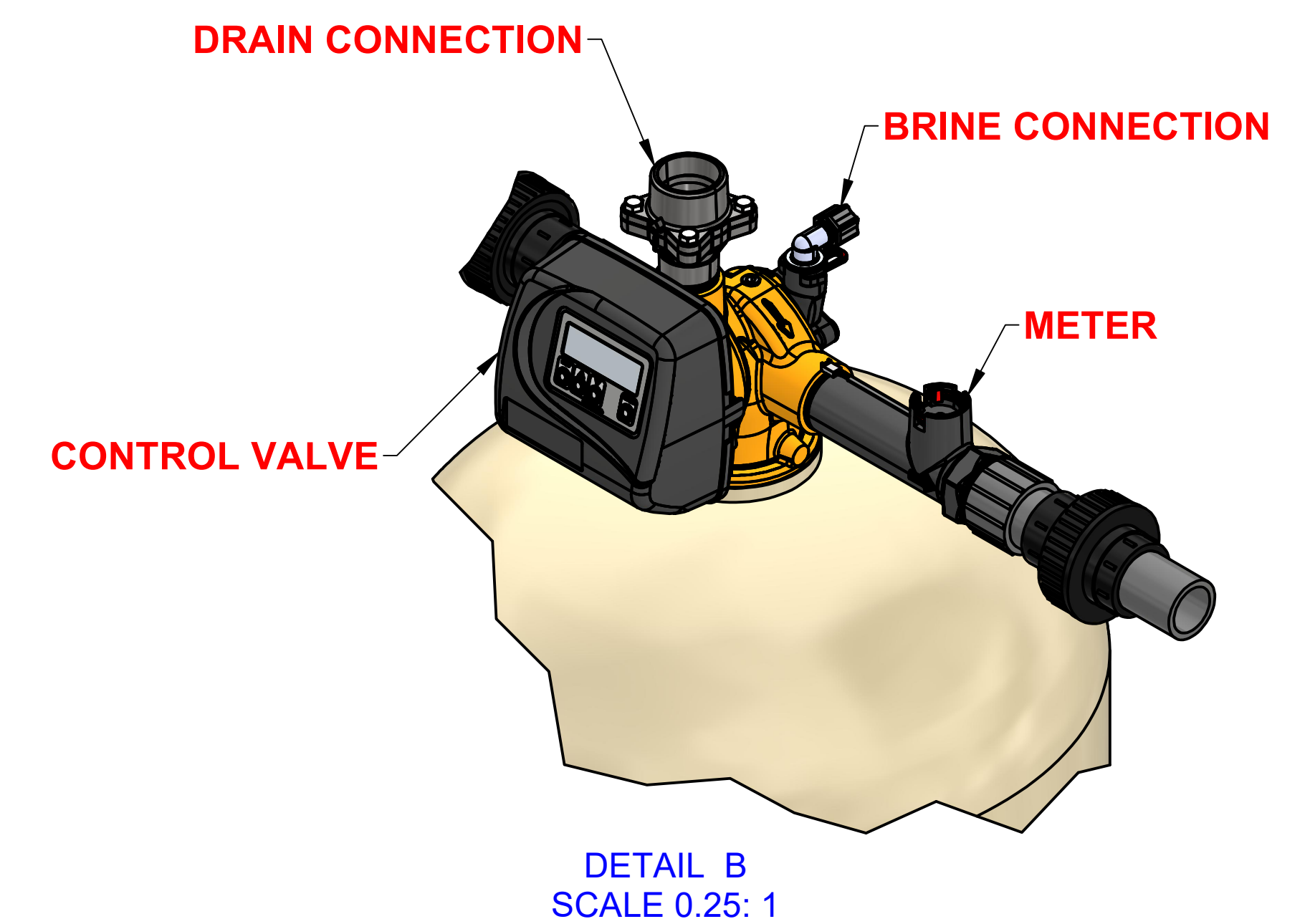
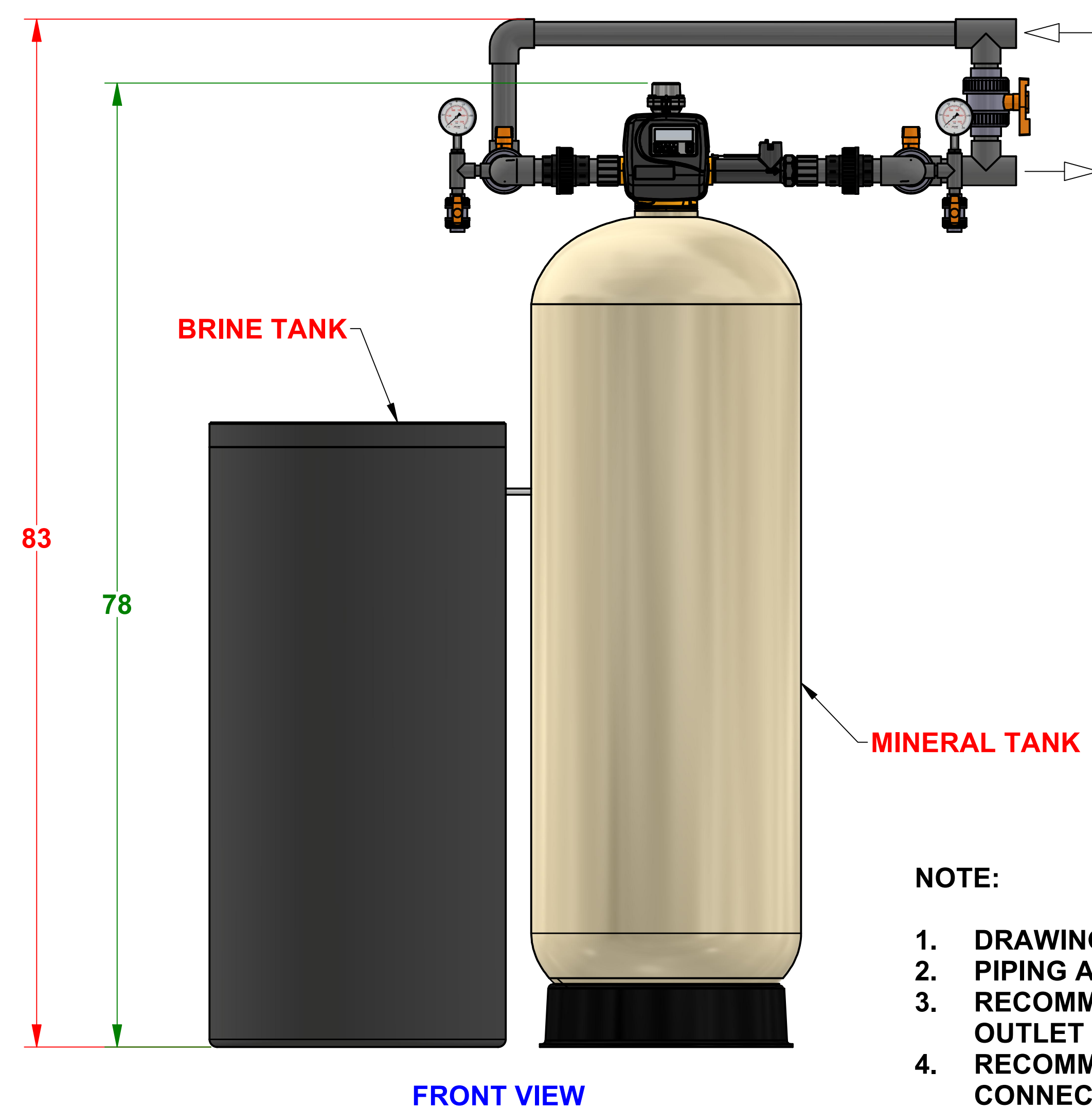
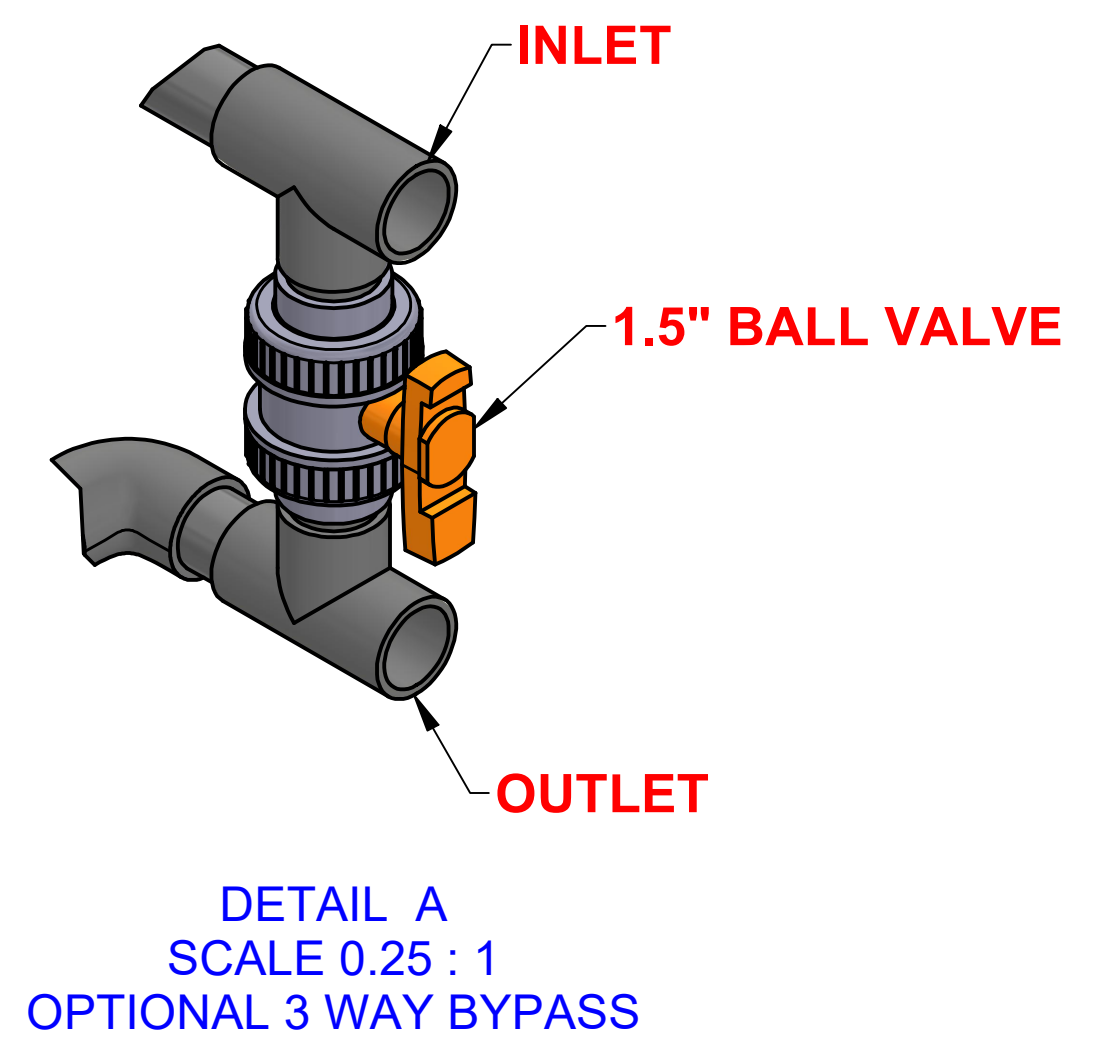
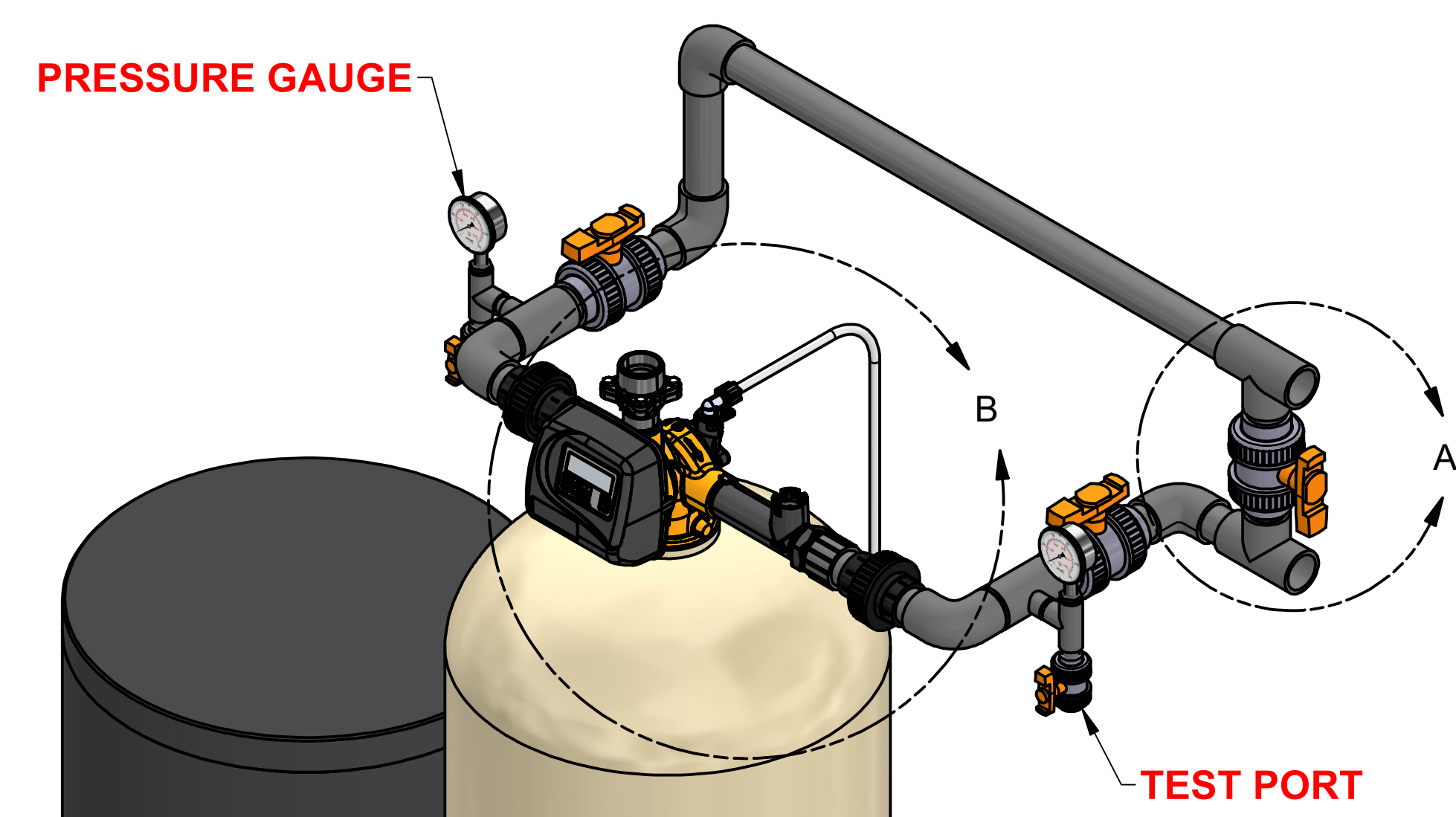
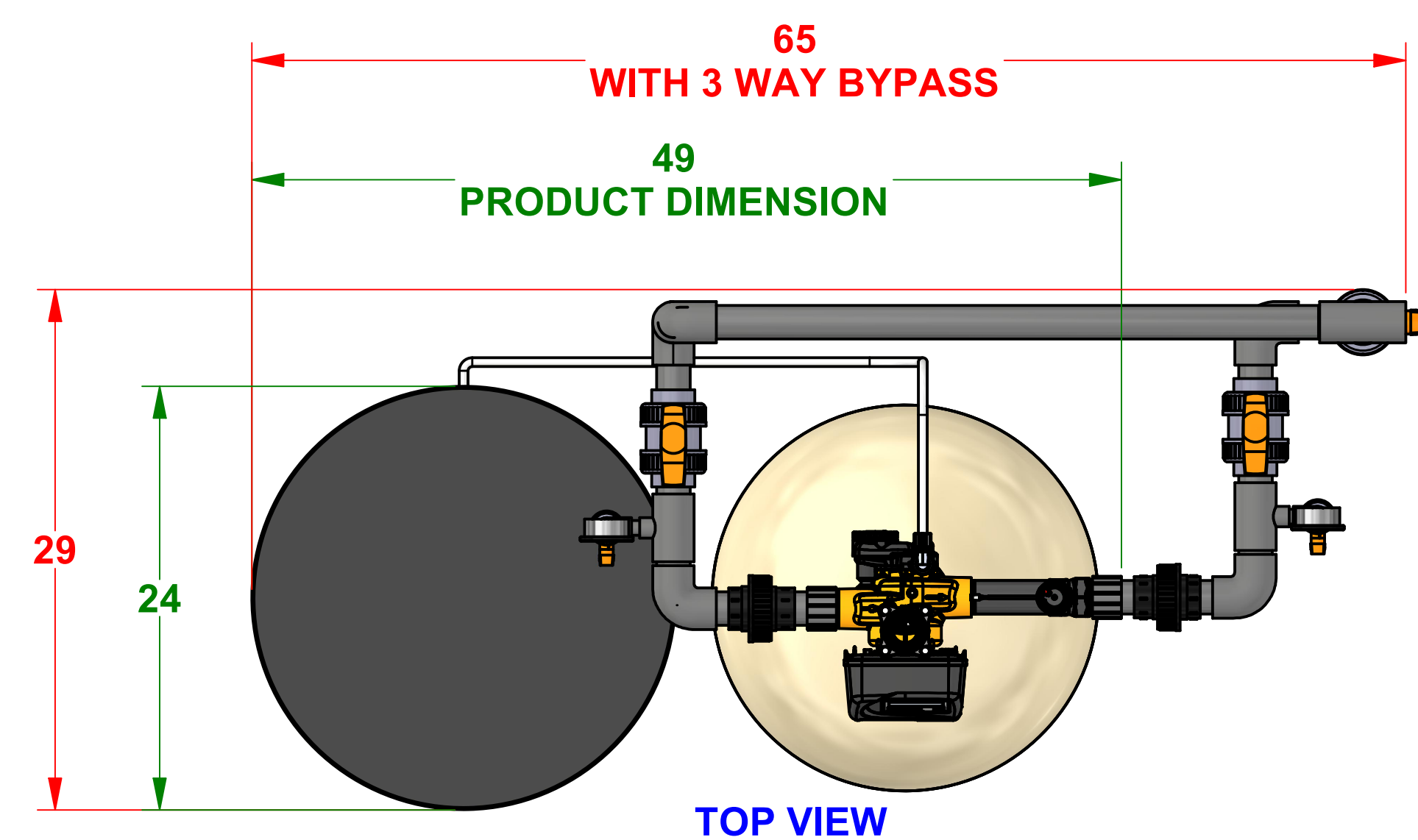


CONTROL VALVE (in)	PIPING CONNECTIONS (in)				MINERAL TANK (in)	BRINE TANK (in)	RESIN PER VESSEL (ft³)	CAPACITY (GRAINS)				FLOW RATE (gpm)					WEIGHT (lbs)		
	INLET	OUTLET	DRAIN	BRINE				15 lbs/ft³	10 lbs/ft³	6 lbs/ft³	MAX SYSTEM	MIN	CRITICAL	SERVICE	15psi ΔP	25psi ΔP	BACKWASH	SHIPPING	OPERATING
1.5	1.5	1.5	1.5	0.5	21 X 62	24 X 50	7.0	210,000	189,000	140,000	210,000	4.8	19.0	30.0	43.0	58.0	11.0	800	2,450

REVISION HISTORY				
REV	DESCRIPTION	DATE	DESIGNER	APPROVED
A	INITIAL RELEASE	2022-06-29	CSiddarushi	M. GARNER



NOTE:

- DRAWING IS FOR REFERENCE ONLY.
- PIPING AND INSTRUMENTATION SHOWN ARE NOT INCLUDED IN THE SCOPE.
- RECOMMEND INSTALLING HORIZONTAL FLEX CONNECTORS ON BOTH INLET AND OUTLET FOR FRP TANK EXPANSION.
- RECOMMEND INSTALLING VACUUM BREAKER(S) ON ALL INLET FRP TANK CONNECTIONS.
- PROVIDE AN AIR GAP ON DRAIN LINE OF AT LEAST 4 TIMES THE DIAMETER OF THE PIPE OR FOLLOW LOCAL PLUMBING CODES.



UNLESS OTHERWISE SPECIFIED dimensions are in inches.	DRAWN CSiddarushi CHECKED M. GARNER PROJECT MGR M. GARNER ELECTRICAL ENGINEER NA APPROVED M. GARNER	2022-06-29 2022-06-29 2022-06-29 2022-06-29 2022-06-29	TITLE WATER SOFTENER 1.5" SIMPLEX 210,000 CAPACITY	DRW NO: EWS S15210	Rev A
Tolerance on: Decimals .XXX = ± .5 .XX = ± 1 .X = ± 2	Angles ± 1°	SCALE 1/8	SHEET 1 OF 1		

This drawing contains information and data which is proprietary to Excalibur Water Systems Inc. This drawing, or any portion thereof, may not be reproduced, copied, or duplicated in any manner, nor used for manufacturing, without the written permission of Excalibur Water Systems Inc.