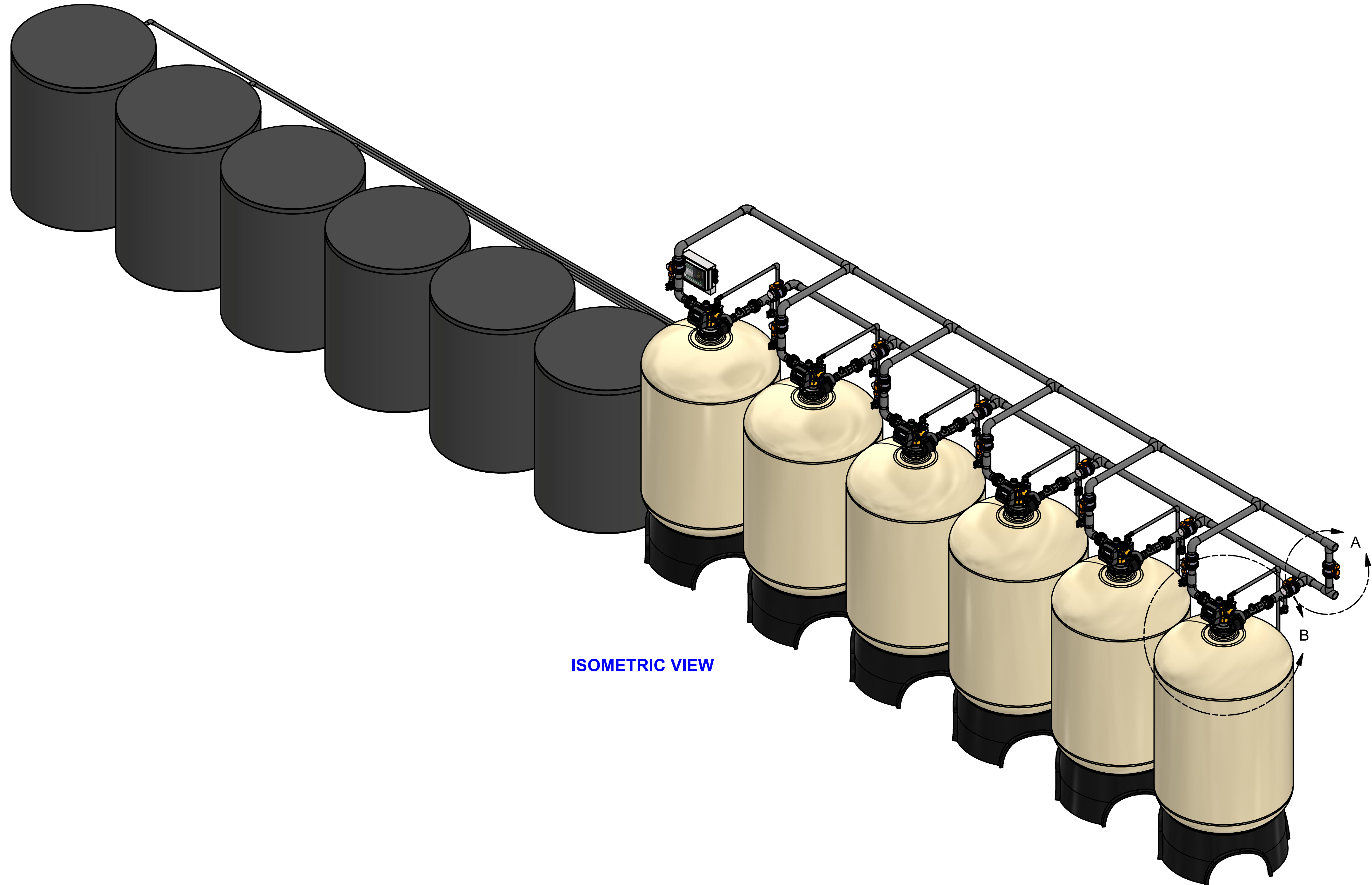
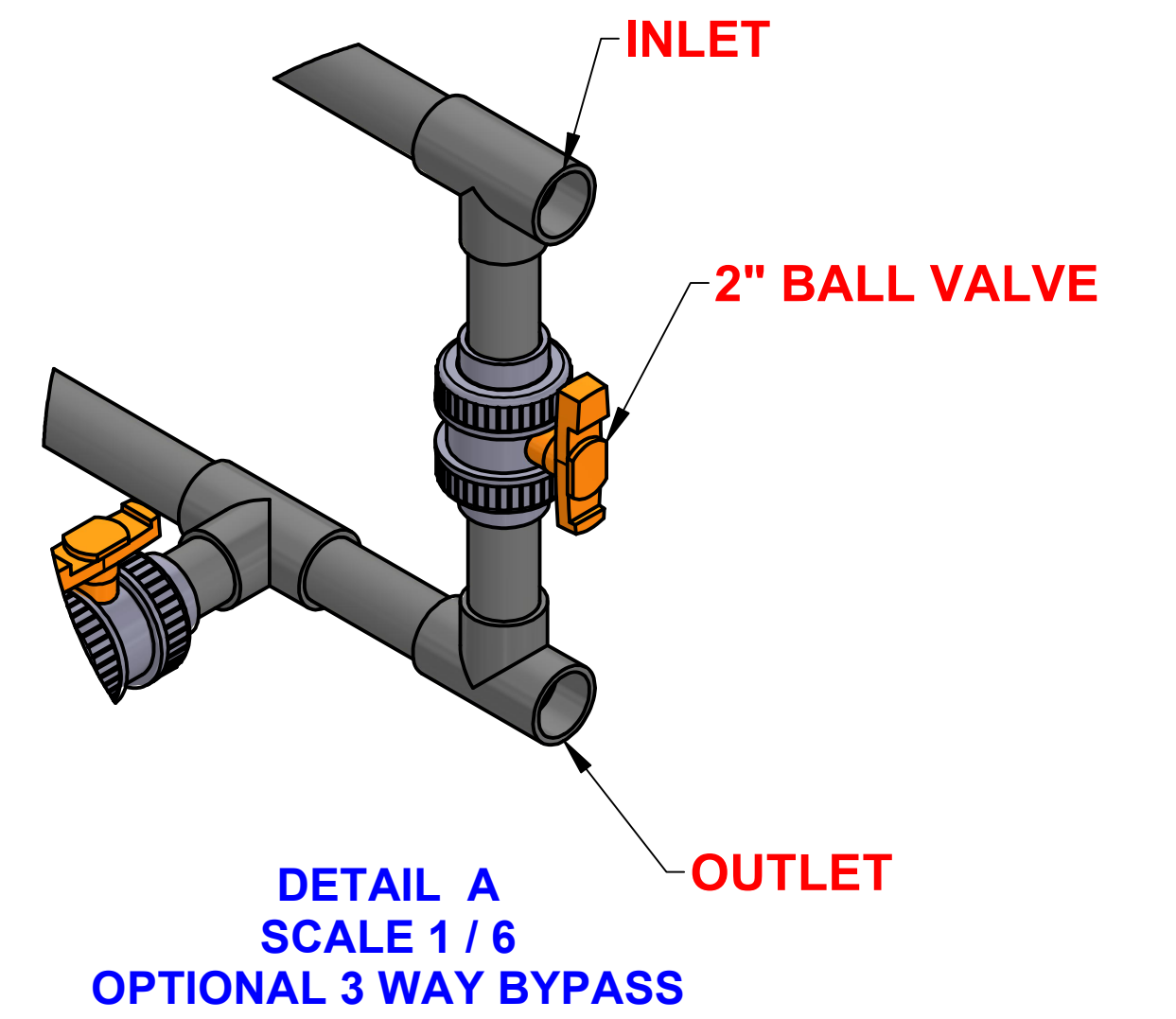


CONTROL VALVE (in)	PIPING CONNECTIONS (in)				MINERAL TANK (in)	BRINE TANK (in)	RESIN PER VESSEL (ft³)	CAPACITY(GRAINS)				FLOW RATE (gpm)					WEIGHT (lbs)		
	INLET	OUTLET	DRAIN	BRINE				15 lbs/ft³	10 lbs/ft³	6 lbs/ft³	MAX SYSTEM	MIN	CRITICAL	SERVICE	15psi ΔP	25psi ΔP	BACKWASH	SHIPPING	OPERATING
2.0	2.0	2.0	1.5	0.75	48 X 72	50 X 60	40.0	1,200,000	1,080,000	800,000	7,200,000	25.0	600.0	750.0	588.0	750.0	60.0	23,340	78,000

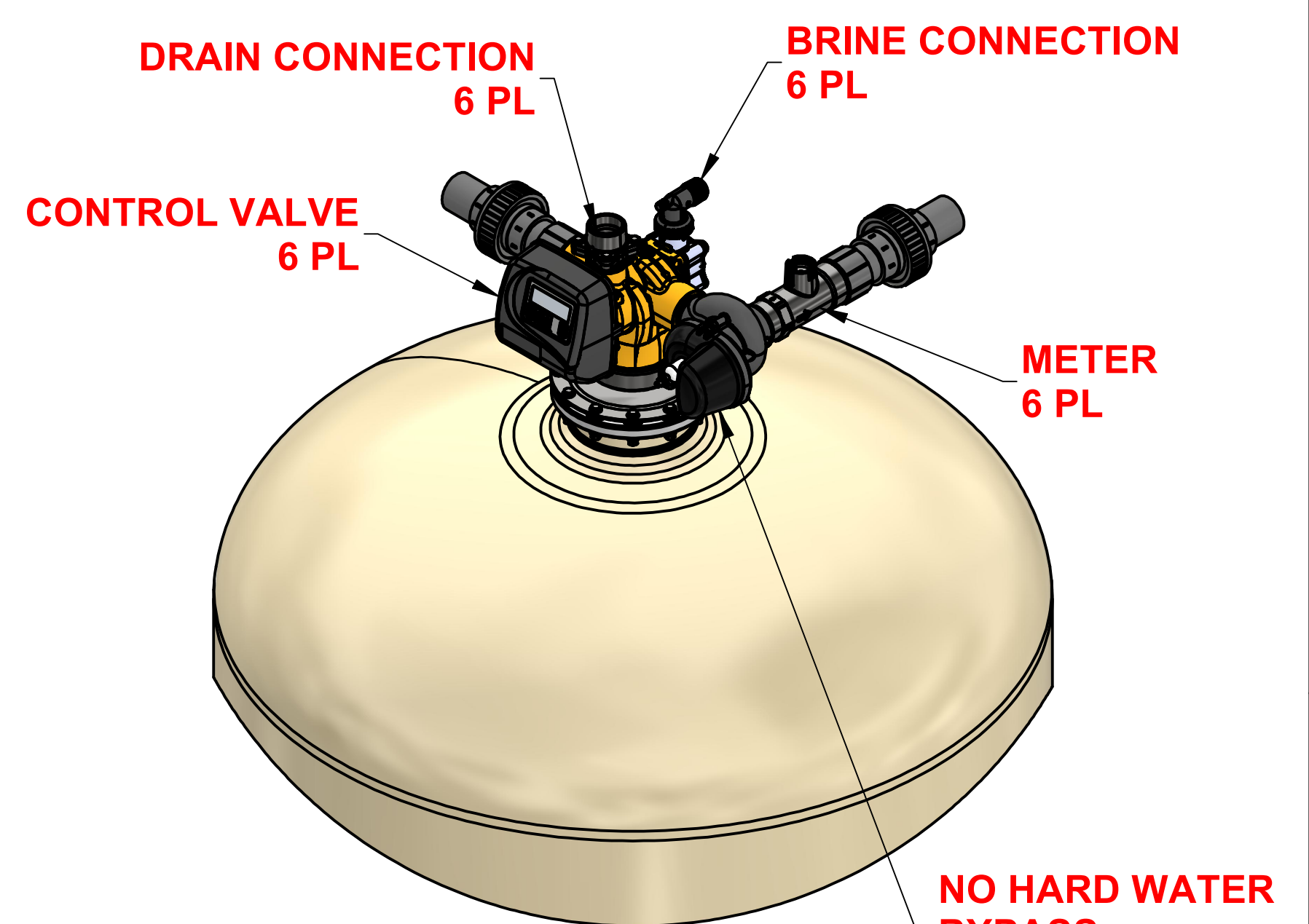
REVISION HISTORY				
REV	DESCRIPTION	DATE	DESIGNER	APPROVED
A	INITIAL RELEASE	2022-08-29	CSIDDARUSHI	M. GARNER



ISOMETRIC VIEW



DETAIL A  
SCALE 1 / 6  
OPTIONAL 3 WAY BYPASS



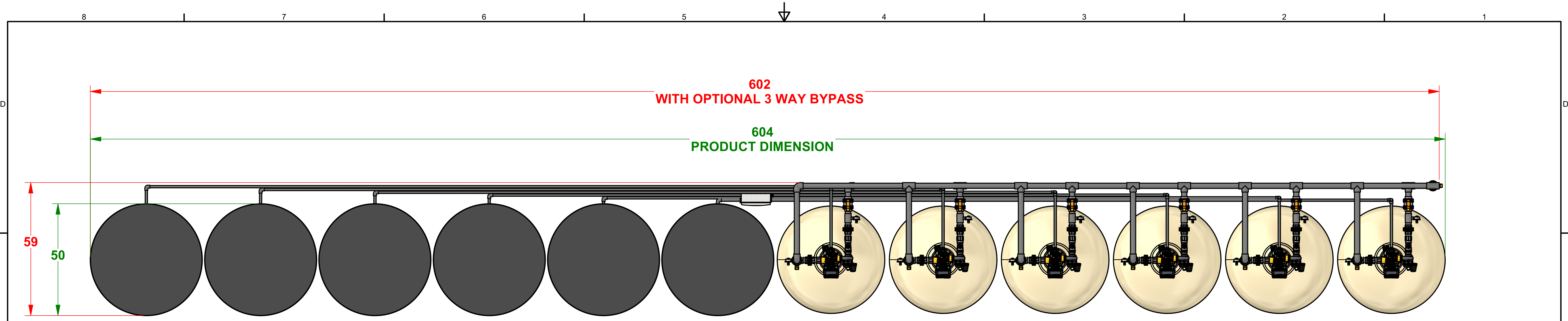
DETAIL B  
SCALE 1/8

**NOTE:**

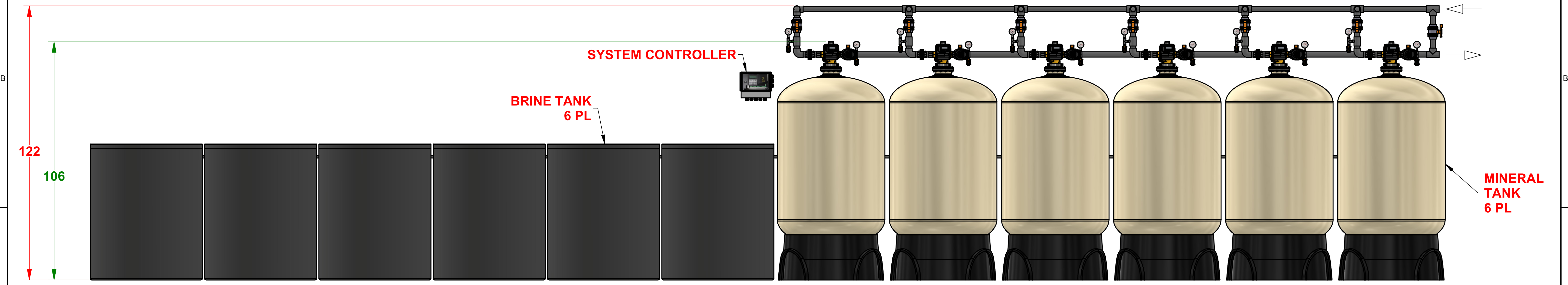
1. DRAWING IS FOR REFERENCE ONLY.
2. PIPING AND INSTRUMENTATION SHOWN ARE NOT INCLUDED IN THE SCOPE.
3. RECOMMEND INSTALLING HORIZONTAL FLEX CONNECTORS ON BOTH INLET AND OUTLET FOR FRP TANK EXPANSION.
4. RECOMMEND INSTALLING VACUUM BREAKER(S) ON ALL INLET FRP TANK CONNECTIONS.
5. PROVIDE AN AIR GAP ON DRAIN LINE OF AT LEAST 4 TIMES THE DIAMETER OF THE PIPE OR FOLLOW LOCAL PLUMBING CODES.

This drawing contains information and data which is proprietary to Excalibur Water Systems Inc. This drawing, or any portion thereof, may not be reproduced, copied, or duplicated in any manner, nor used for manufacturing, without the written permission of Excalibur Water Systems Inc.

	UNLESS OTHERWISE SPECIFIED dimensions are in inches.	DRAWN CSIDDARUSHI 2022-08-29	TITLE <b>WATER SOFTENER 2.0" SIXPLEX PROGRESSIVE 1,200,000 CAPACITY</b>
	Tolerance on: Decimals .XXX= ± .5 .XX= ± 1 .X= ± 2	CHECKED M. GARNER 2022-08-29	DRW NO: EWS SC2MQC61200
		PROJECT MGR M. GARNER 2022-08-29	SCALE 1/21
	Angles ± 1°	ELE ENGINEER M. GARNER 2022-08-29	Rev A
	APPROVED M. GARNER 2022-08-29	SHEET 1 OF 2	



TOP VIEW



FRONT VIEW