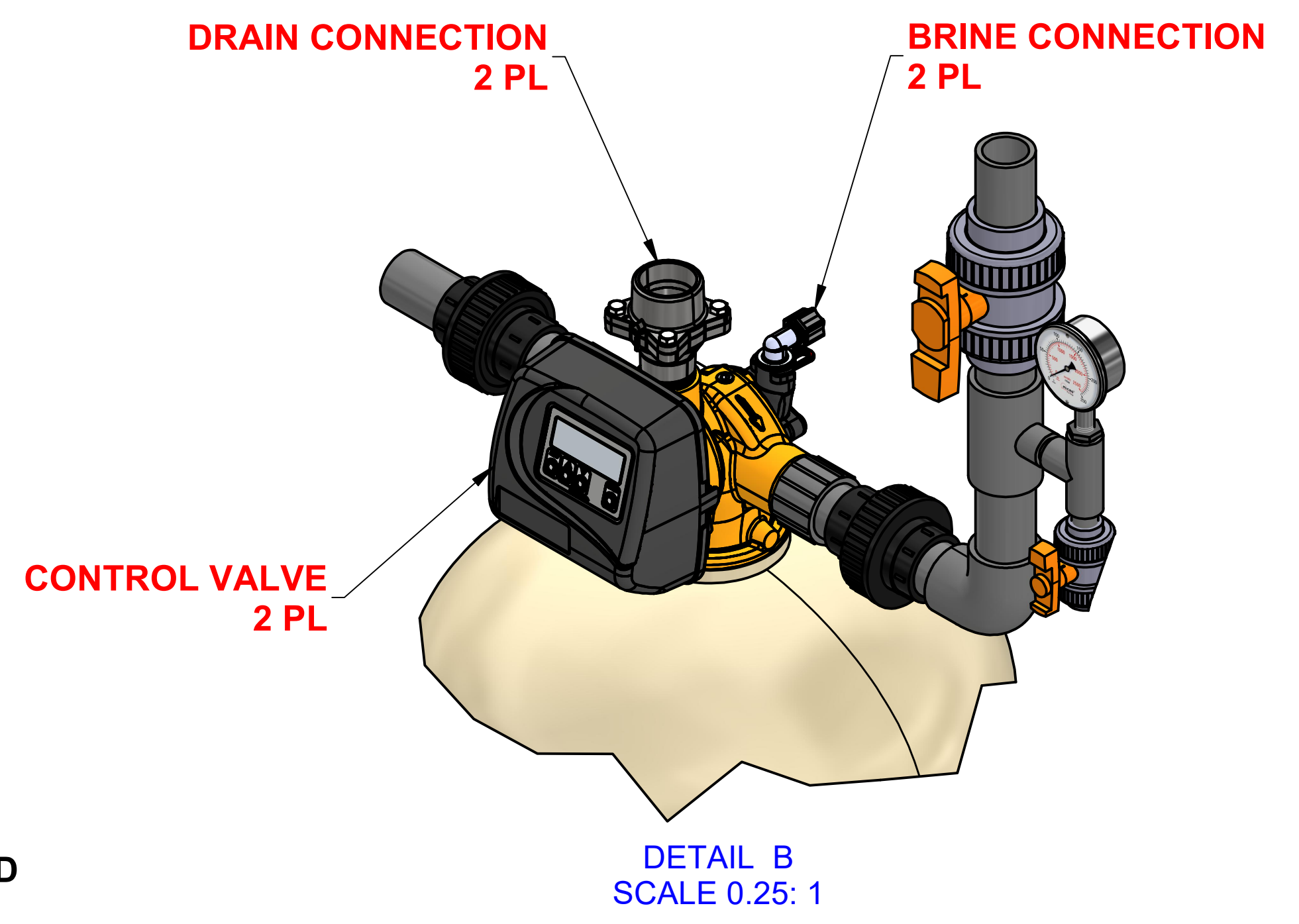
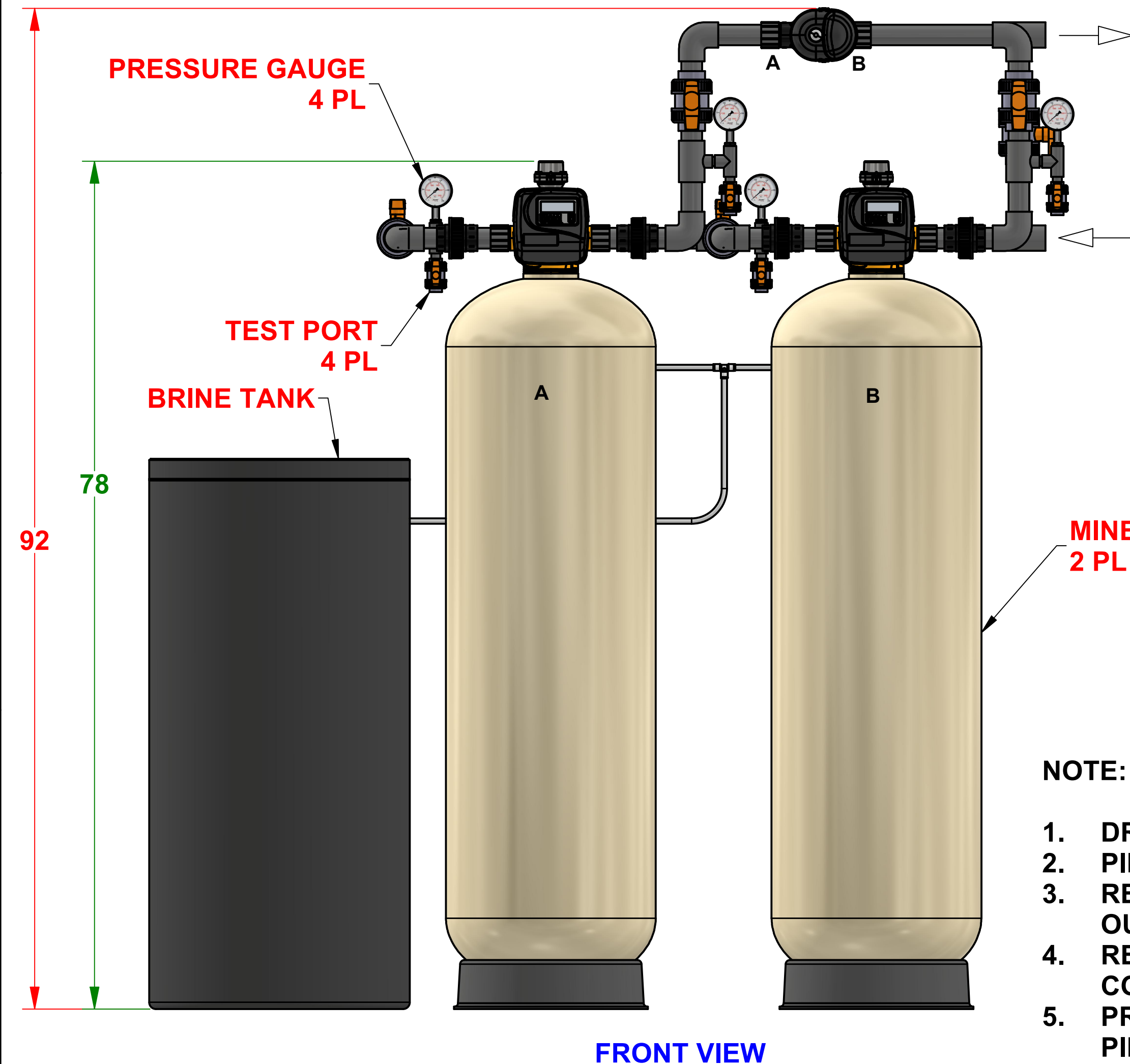
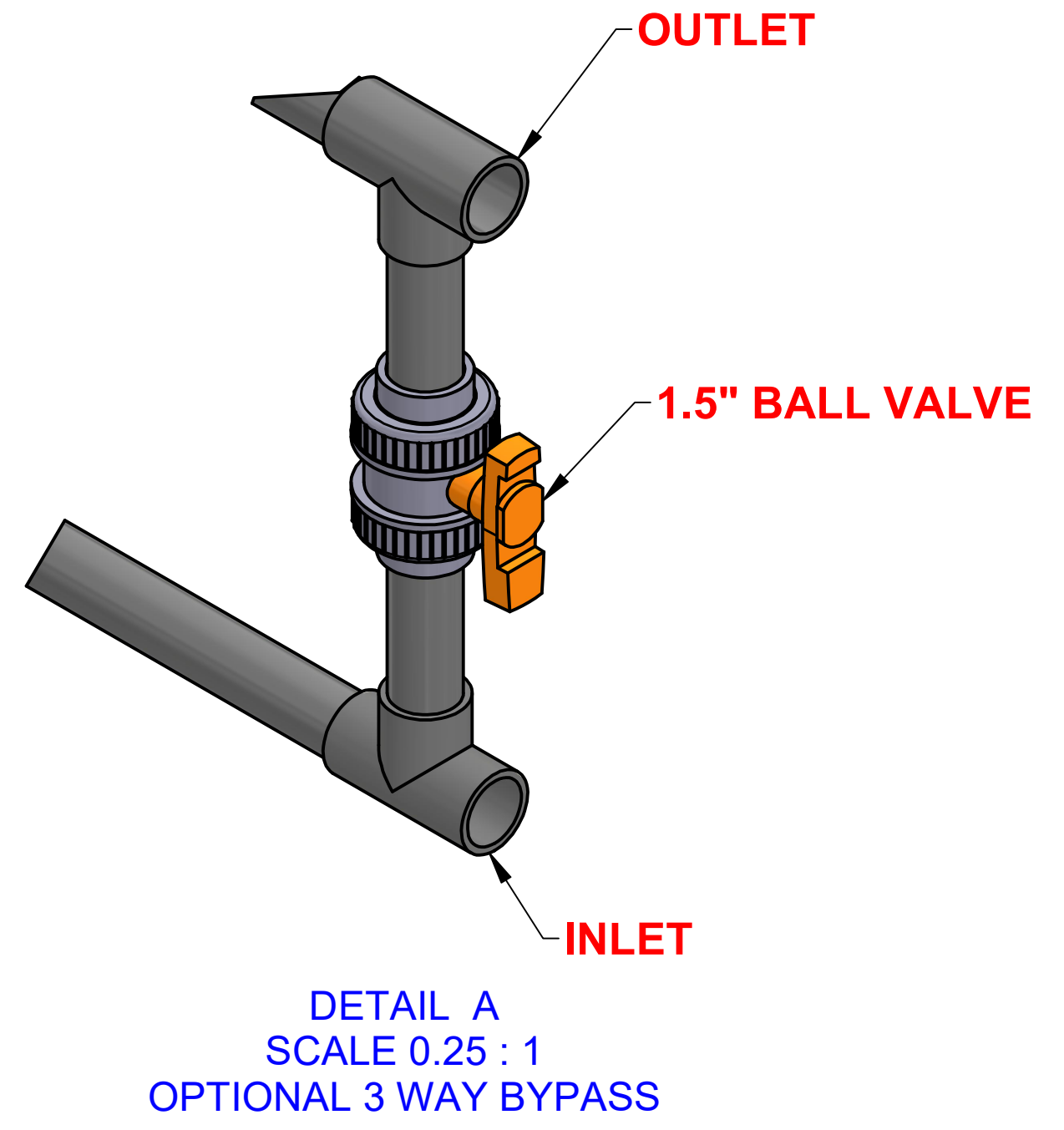
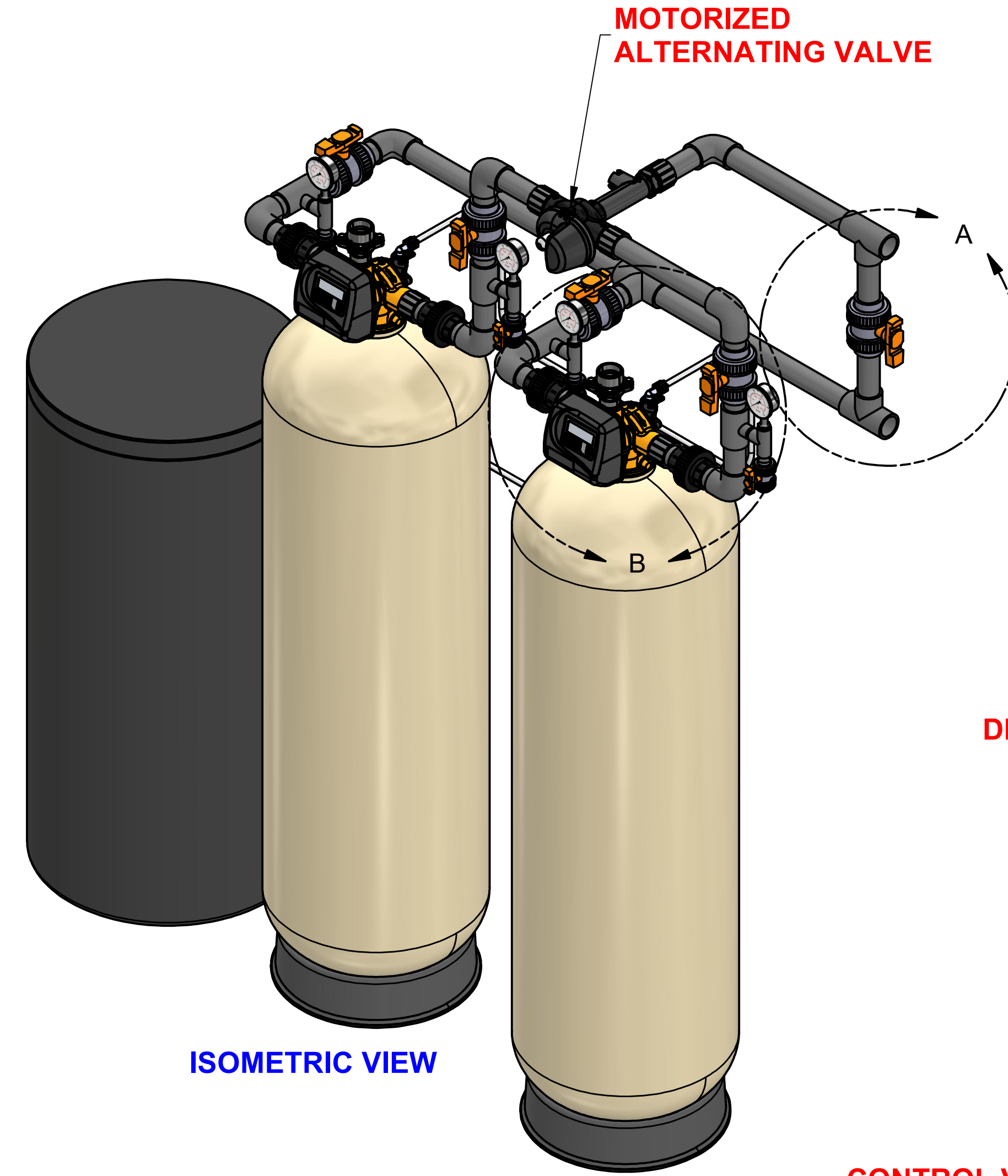
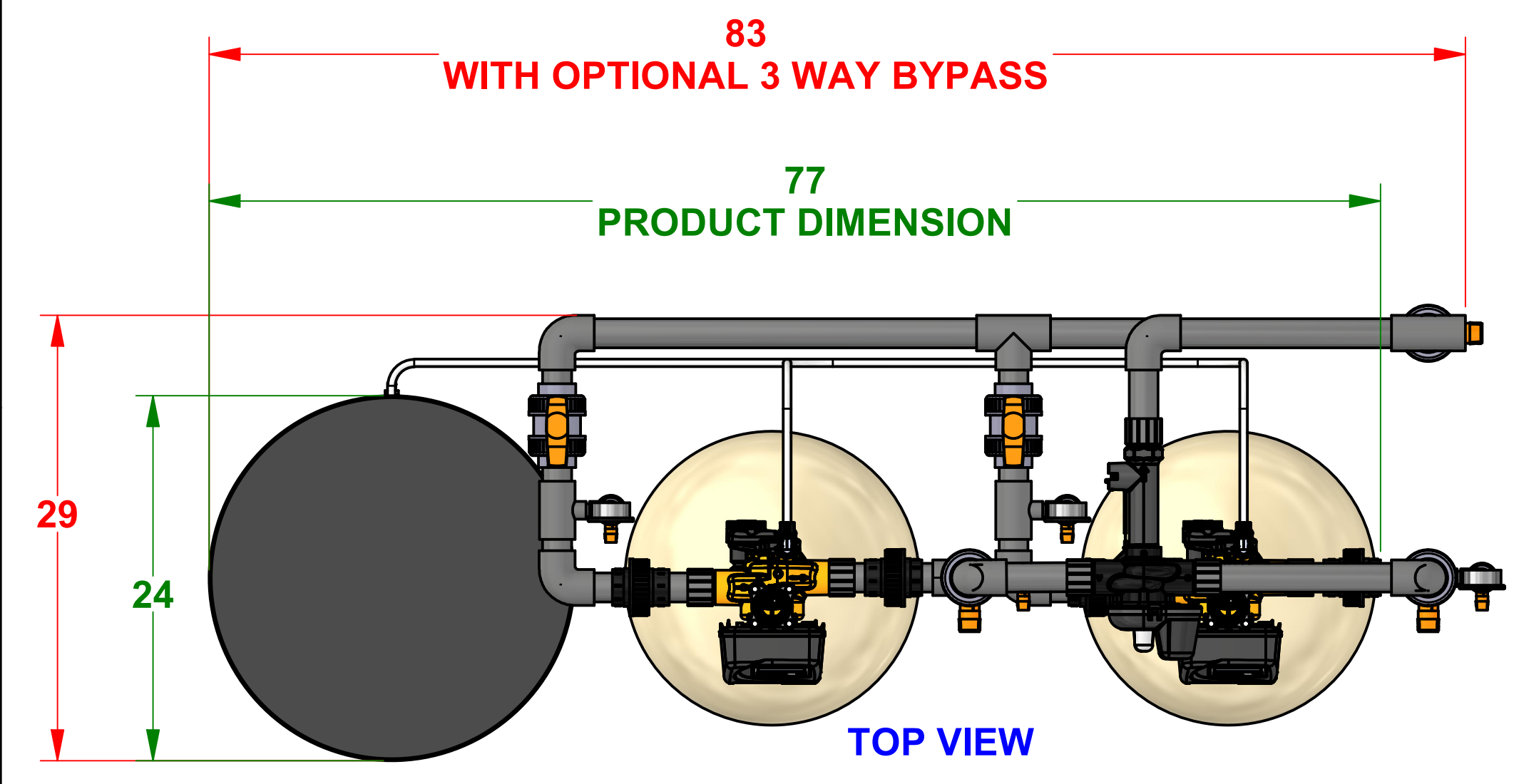


CONTROL VALVE (in)	PIPING CONNECTIONS (in)				MINERAL TANK (in)	BRINE TANK (in)	RESIN PER VESSEL (ft³)	CAPACITY (GRAINS)				FLOW RATE (gpm)					WEIGHT (lbs)		
	INLET	OUTLET	DRAIN	BRINE				15 lbs/ft³	10 lbs/ft³	6 lbs/ft³	MAX SYSTEM	MIN	CRITICAL	SERVICE	15psi ΔP	25psi ΔP	BACKWASH	SHIPPING	OPERATING
1.5	1.5	1.5	1.5	0.5	18 X 65	24 X 50	6.0	180,000	162,000	120,000	360,000	3.5	14.0	21.0	37.0	52.0	9.0	1,200	3,350

REVISION HISTORY				
REV	DESCRIPTION	DATE	DESIGNER	APPROVED
A	INITIAL RELEASE	2022-07-05	CSIDDARUSHI	M. GARNER



**NOTE:**

- DRAWING IS FOR REFERENCE ONLY.
- PIPING AND INSTRUMENTATION SHOWN ARE NOT INCLUDED IN THE SCOPE.
- RECOMMEND INSTALLING HORIZONTAL FLEX CONNECTORS ON BOTH INLET AND OUTLET FOR FRP TANK EXPANSION.
- RECOMMEND INSTALLING VACUUM BREAKER(S) ON ALL INLET FRP TANK CONNECTIONS.
- PROVIDE AN AIR GAP ON DRAIN LINE OF AT LEAST 4 TIMES THE DIAMETER OF THE PIPE OR FOLLOW LOCAL PLUMBING CODES.
- OUTLET OF SOFTENER "A" GOES TO INLET OF MAV "A" & OUTLET OF SOFTENER "B" GOES TO INLET OF MAV "B"

This drawing contains information and data which is proprietary to Excalibur Water Systems Inc. This drawing, or any portion thereof, may not be reproduced, copied, or duplicated in any manner, nor used for manufacturing, without the written permission of Excalibur Water Systems Inc.

<p>EXCALIBUR Water Systems Quality through innovation</p>	UNLESS OTHERWISE SPECIFIED dimensions are in inches.	DRAWN CSIDDARUSHI 2022-07-05	TITLE
	Tolerance on:	CHECKED M. GARNER 2022-07-05	<b>WATER SOFTENER 1.5" DUPLEX ALTERNATING 180,000 CAPACITY</b>
	Decimals .XXX = ± .5	PROJECT MGR M. GARNER 2022-07-05	
	Angles .XX = ± 1	ELE ENGINEER M. GARNER 2022-07-05	DRW NO: EWS SD15180
.X = ± 2	APPROVED M. GARNER 2022-07-05	SCALE 1/9	Rev A
		SHEET 1 OF 1	